

# CARINA TAV2712DC

Image Size:  $\frac{1}{3}$   $\frac{1}{4}$

[SPECIFICATIONS] F1.2 Aspherical + Day&Night IR Lens

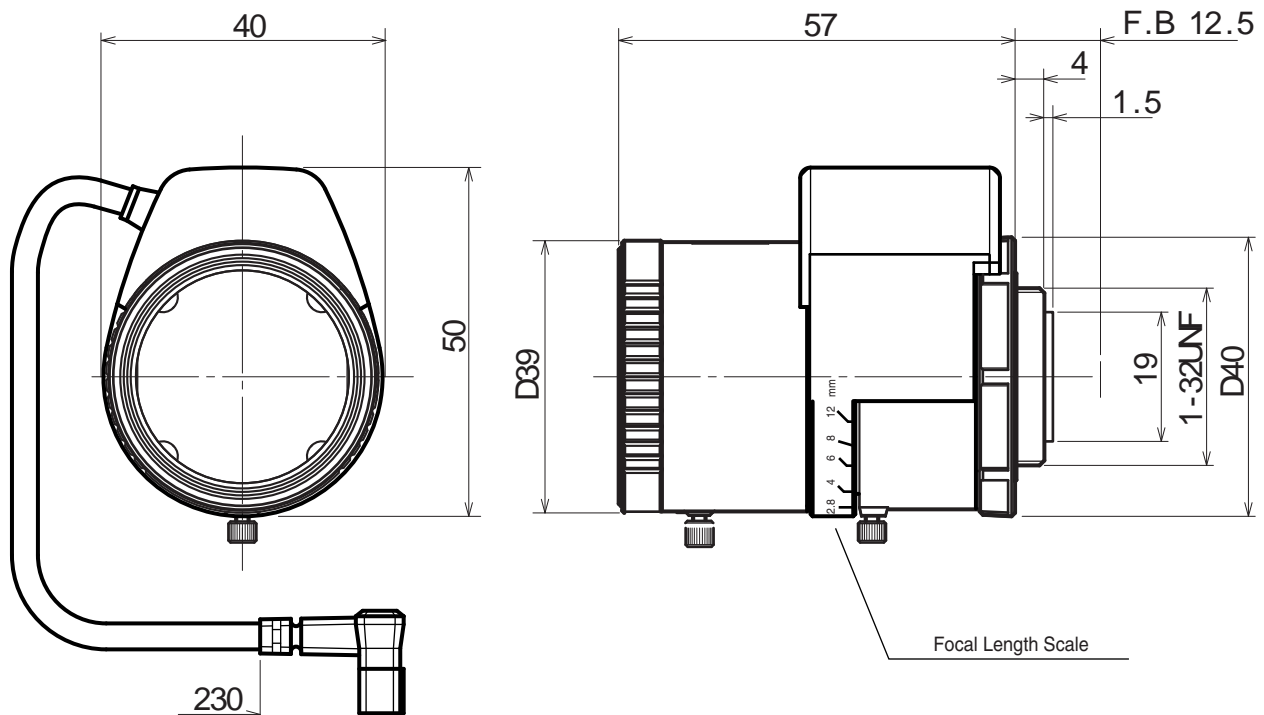
Focal Length : 2.7- 12mm  
 Maximum Relative Aperture : 1:1.2  
 Iris : F1.2 - 360  
 (With ND Spot Filter)  
 Angular Field of View : 97.4X72.4 deg.at 2.7mm  
 23.8X17.8 deg.at 12mm  
 Image Format : 4.8X3.6mm(D6mm)  
 Minimum Object Distance : 0.3m(From Front Vertex)  
 Object Dimensions at M.O.D. : 89.8X67.4cm at 2.7mm  
 13.5X10.1cm at 12mm

Optical Back Focal Distance : 7.13mm(In Air)  
 Flange Back: 12.5mm  
 Operation Voltage: Close to Open : Less than 3V  
 Open to Close : More than 0.5V  
 Operation : Focus : Manual  
 Zoom : Manual  
 Iris : IG(Auto Close System)  
 Operation Temperature : -10 to +50 C °  
 Mount : CS-Mount(Adjustable Lens Position)  
 Size, Weight : D39X50X57mm, Approx. 72g

[COMPOSITION]

- Lens .....1
- Lens Cap .....1
- Dust Cap .....1

[DIMENSIONS]



Unit:mm

[CIRCUIT DIAGRAM]

