

PHOENIX TV308DC-2

[SPECIFICATIONS] F1.2 Day&Night Lens

Image Size: $\frac{1}{3}$ $\frac{1}{4}$

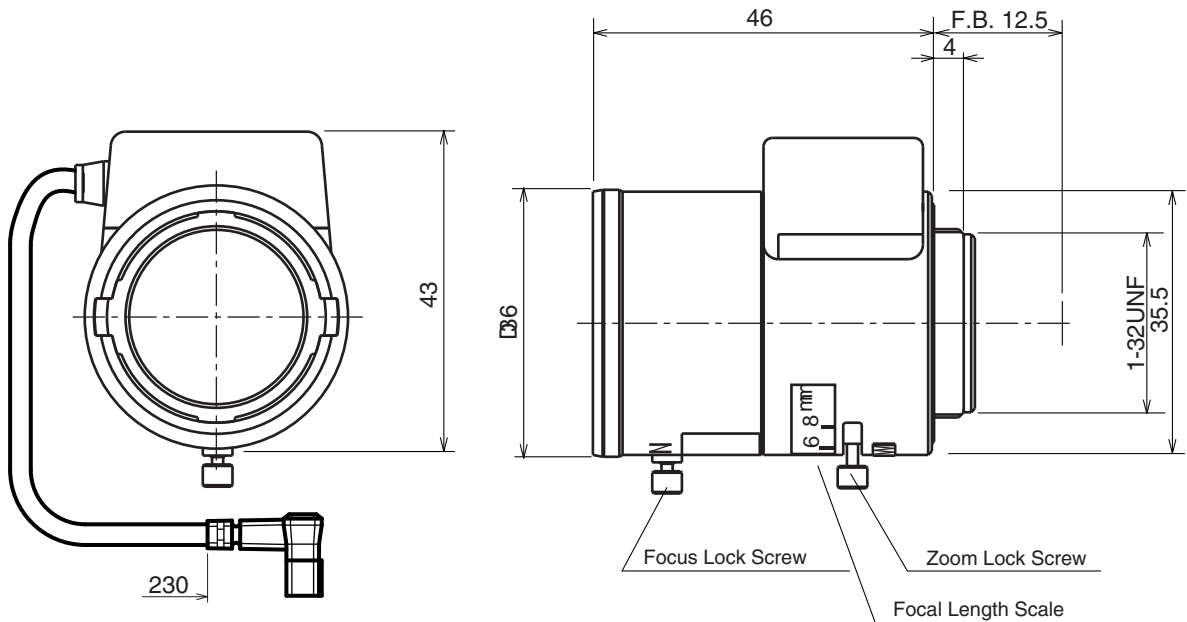
Focal Length : 3 - 8mm
 Maximum Relative Aperture : 1:1.2
 Iris : F1.2 - Approx.360
 (With ND Spot Filter)
 Angular Field of View : 92.5X68.5 deg.at 3mm
 35.6X26.7 deg.at 8mm
 Image Format : 4.8X3.6mm(D6mm)
 Minimum Object Distance : 0.3m(From Front Vertex)
 Object Dimensions at M.O.D. : 63.1X40.4cm at 3mm
 19.3X 14.3cm at 8mm

Optical Back Focal Distance : 7.25 - 12.81mm(In Airs)
 Flange Back: 12.5mm
 Operation Voltage: Close to Open : Less than 4V
 Open to Close : More than 0.5V
 Operation : Focus : Manual
 Zoom : Manual
 Iris : IG(Auto Close System)
 Operation Temperature : -10 to +50
 Mount : CS-Mount(Adjustable Lens Position)
 Size, Weight : D36X43X46mm, Approx. 63g

[COMPOSITION]

- Lens1
- Lens Cap1
- Dust Cap1

[DIMENSIONS]



Unit:mm

[CIRCUIT DIAGRAM]

