

DVR & Network Solution

Network IP Camera

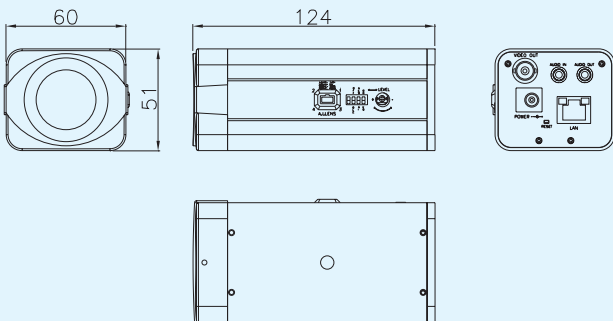


XC619P	●	●	●	●	●
XC629P	●	●	●	●	●
XC619PE	●	●	●	●	●
XC629PE	●	●	●	●	●

FEATURES

- Optional Power: DC12V / PoE (Type A / B).
- Dual Stream: M-JPEG / MPEG-4.
- PPPoE / DDNS Support.
- Built-in 2-Way Audio.
- Sensor Trigger and Notify by E-mail or FTP.

DIMENSIONS



SPECIFICATIONS

Model	XC619P SHARP N.R., DC12V XC619PE SHARP N.R., PoE XC629P SHARP H.R., DC12V XC629PE SHARP H.R., PoE
VIDEO	
Pick-up Device	1/3" SHARP CCD Image Sensor
Resolution	Normal Resolution (N.R.): 380 TVL; High Resolution (H.R.): 480 TVL
Gain Control	Auto
White Balance	Auto (2500 ~ 9500K)
Auto Iris Control	V.D. & D.D. Lens Both Supported
AES	AES ON: NTSC 1/60~1/100,000s; PAL 1/50~1/110,000s AES OFF: NTSC 1/60s; PAL 1/50s
B.L.C.	Back Light Compensation ON/OFF
IMAGE	
Compression	M-JPEG / MPEG-4 for Video
Resolution	NTSC: (30fps) Full D1 (720x480) CIF (352x240) QCIF (176x120) PAL: (25fps) Full D1 (720x576) CIF (352x288) QCIF (176x144)
Video Frame Rate	Adjustable
Video Quality Adj.	Contrast, Brightness, Saturation, Hue
Motion Detection	3 Different Areas, Sensitivity: 1~9
NETWORK	
Interface	Ethernet RJ-45 Wired, 10/100 Base-T
Protocol Supported	DHCP, PPPoE, Dynamic DNS, UDP, TCP/IP, SMTP, UPnP, HTTP, RTSP, DNS Client PAL 1/50~1/110,000s
SYSTEM	
CPU	SoC Embedded ARM 9, 32 bit RISC
Triggered Action	Mail, FTP
Security	Password Protection
Firmware Upgrade	HTTP Mode, Upgrade Remotely
Audio	2-Way Audio
SOFTWARE	
Operating System	Free Bundle Surveillance AP Supports 16ch Recording. (WIN2000, XP, Vista)
Internet Browser	Microsoft IE 6.0 or Above (DirectXTM 9.0C or Higher)
OTHERS	
Power	Optional DC12V / 500mA or Power over Ethernet (PoE)
Operating Temp.	0°C ~ 50°C
Dimension	110 (D) x 60 (W) x 51 (H) mm
LIVE DEMO	
Logon via IE	60.250.158.59
User	demo
Password	demo
Software	Download "Active X" and shut down the anti-virus software

Design and specifications are subject to change without notice.

CCD Camera

DVR

CCTV Lens

Accessories