

B/W CCD Camera

Hidden Camera



XS517R ●

FEATURES

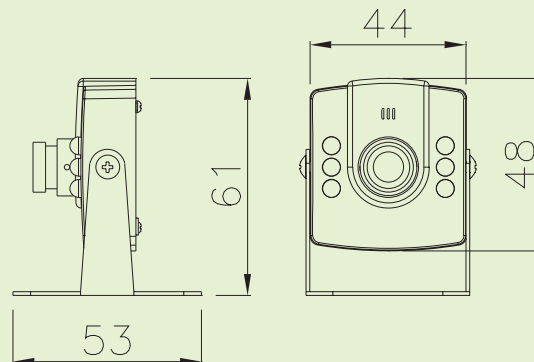
- > B/W camera in metal case with SHARP 1/3" CCD sensor.
- > Pixel number: EIA=270K / CCIR=320K.
- > High sensitivity, low smear, high anti-blooming and high S/N ratio.
- > Build-in functions: Auto Electronic Shutter (AES), Auto Gain Control (AGC).
- > Small size (48x45) and furnished with DC power cable and video cable.
- > Built-in IR-LED x 6 for low light environments.

SPECIFICATIONS

Model	XS517R
Image Pick-up Device	SHARP 1/3" B/W CCD
Effective Picture Elements	EIA: 510*492, CCIR: 500*582 (H*V)
Horizontal Resolution	420 TV lines
Minimum Illumination	0.2 LUX @ F2.0 / 0LUX @ IR
S/N Ratio	More than 48 dB
Auto Electronic Shutter	EIA: 1/60s~1/100,000s, CCIR: 1/50s~1/110,000s
Gamma Characteristic	0.45
Lens Furnished	Board lens 3.6mm / F2.0
Gain Control	Automatically
White Balance	Automatically (2500K~9500K)
Synchronous System	Negative sync. Internal
Video Output	1 Vp-p Composite Video / 75 Ohms
Power Supply	DC 12V / 140 mA
Operating Temp.	-10°C to 50°C (14°F to 122°F)
Dimensions	48 mm (L) * 45 mm (W) * 30 mm (H)
Audio (Option)	2Vp-p 50 Ohms. RCA connector

Design and specifications are subject to change without notice.

DIMENSIONS



CCD Camera

DVR

CCTV Lens

Accessories