

B/W CCD Camera

Hidden Camera



SPECIFICATIONS

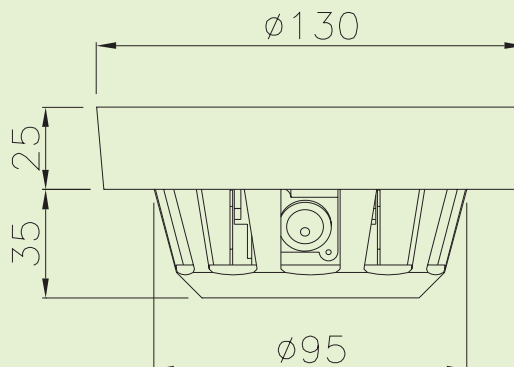
Model	XO371
Image Pick-up Device	1/3" B/W CCD
Effective Picture Elements	EIA: 510*492, CCIR: 500*582 (H*V)
Horizontal Resolution	420 TV lines
Minimum Illumination	0.2 LUX @ F2.0
S/N Ratio	More than 48dB
Auto Electronic Shutter	EIA: 1/60s ~ 1/100,000s, CCIR: 1/50s ~ 1/110,000s
Gain Control	Automatically
Gamma Characteristic	0.45
Lens Furnished	Corn lens 3.7mm / F2.0
Synchronous System	Internal, Negative sync.
Video Output	1 Vp-p Composite Video / 75 Ohms
Power Supply	12V DC / 110 mA
Operating Temp.	-10°C to 50°C (14°F to 122°F)
Dimensions	130 mm (Φ) X 58 mm (H)
Audio Output (Option)	2 Vp-p / 50 Ohms. RCA connector

Design and specifications are subject to change without notice.

FEATURES

- > B/W camera with 1/3" CCD sensor in smoke detector hidden case.
- > Pixel number: EIA=270K / CCIR=320K.
- > High sensitivity, anti-blooming and high S/N ratio.
- > Build-in functions: Auto Electronic Shutter (AES), Auto Gain Control (AGC).
- > Furnished with DC power cable and video cable.
- > DC type, low power consumption.

DIMENSIONS



www.xcore.com.tw

XCore
Technology

Keeping the things that matter in focus.

CCD Camera

DVR

CCTV Lens

Accessories