

B/W CCD Camera

Hidden Camera



SPECIFICATIONS

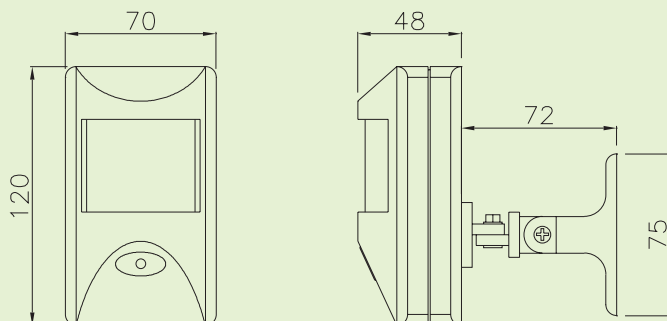
Model	XH372
Image Pick-up Device	1/3" B/W CCD
Effective Picture Elements	EIA: 510*492, CCIR: 500*582 (H*V)
Horizontal Resolution	420 TV lines
Minimum Illumination	0.5 LUX @ F3.5
S/N Ratio	More than 48dB
Auto Electronic Shutter	EIA: 1/60s ~ 1/100,000s, CCIR: 1/50s ~ 1/110,000s
Gamma Characteristic	0.45
Lens Furnished	Pinhole lens 3.7mm / F3.5
Gain Control	Automatically
Synchronous System	Negative sync. Internal
Video Output	1 Vp-p Composite Video / 75 Ohms
Power Supply	DC 12V / 110 mA
Operating Temp.	-10°C to 50°C (14°F to 122°F)
Audio Output (Option)	2 Vp-p / 50 Ohms. RCA connector
	Built-in PIR Sensor (Option)
PIR Detection Angle	Horizontal = 100° / Vertical = 45°
PIR Detection Range	10 M
PIR N.C/N.O Relay Output	1A / 120VAC, 2A / 30VDC
PIR N.C/N.O Alarm Time	Adjustable from 2 to 50 sec.

Design and specifications are subject to change without notice.

FEATURES

- > B/W camera with 1/3" CCD sensor in PIR hidden case.
- > Pixel number: EIA=270K / CCIR=320K.
- > High sensitivity, anti-blooming and high S/N ratio.
- > Build-in functions: Auto Electronic Shutter (AES), Auto Gain Control (AGC).
- > Furnished with DC power cable and video cable.
- > DC type, low power consumption.

DIMENSIONS



CCD Camera

DVR

CCTV Lens

Accessories