

# B/W CCD Camera

## Box Camera



XC139  
XC149 ●

### FEATURES

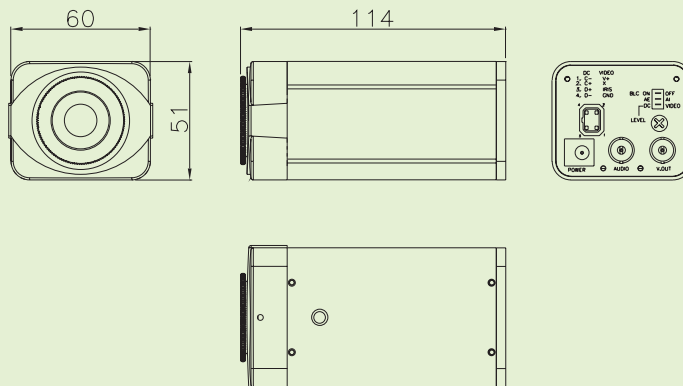
- > B/W camera with SONY 1/3" EXview HAD CCD sensor in metal case.
- > Pixel number: EIA=270K / CCIR= 320K (Normal Resolution).  
EIA=380K / CCIR= 440K (High Resolution).
- > High sensitivity, anti-blooming and high S/N ratio.
- > Build-in functions: Auto Electronic Shutter (AES), Auto Iris (AI), Auto Gain Control (AGC), Back Light Compensation (BLC).
- > Supports Auto Iris Lens: both Video-Drive & DC-Drive lens.
- > Supports both C and CS mount lens.

### SPECIFICATIONS

Model	XC139	XC149
Image Pick-up Device	SONY 1/3" EXview B/W CCD Normal Resolution	SONY 1/3" EXview B/W CCD High Resolution
Effective Picture Elements	EIA: 510*492, CCIR: 500*582 (H*V)	EIA: 768*494, CCIR: 752*582 (H*V)
Horizontal Resolution	420 TV lines	600 TV lines
Minimum Illumination	0.02 LUX @ F1.2	0.05 LUX @ F1.2
S/N Ratio	More than 48dB	
Auto Electronic Shutter	AES ON: EIA: 1/60s ~ 1/100,000s, CCIR: 1/50s ~ 1/110,000s OFF: EIA: 1/60s , CCIR: 1/50s	
Gain Control	Automatically	
Gamma Characteristic	0.45	
Lens Mount	C or CS mount adjustable	
Synchronous System	Internal, Negative sync.	
Video Output	1 Vp-p Composite Video / 75 Ohms	
Power Supply	DC 12V / AC24V / AC110V / AC230V 3W	
Operating Temp.	-10°C to 50°C (14°F to 122°F)	
Audio (Option)	2Vp-p 50 Ohms. RCA connector	

Design and specifications are subject to change without notice.

### DIMENSIONS



CCD Camera

DVR

CCTV Lens

Accessories

[www.xcore.com.tw](http://www.xcore.com.tw)

**Xcore**  
Technology

*Keeping the things that matter in focus.*