

# Hidden Camera

## Mini Case Camera



### SPECIFICATIONS

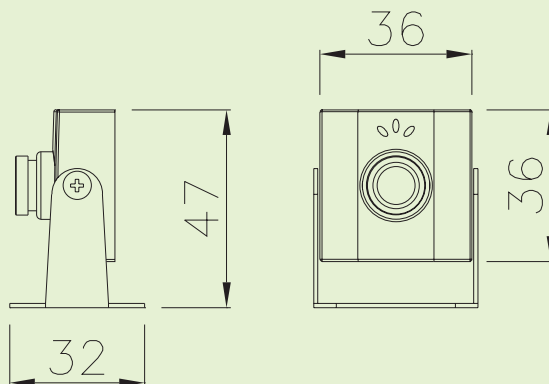
Model	XS2C4
Image Pick-up Device	SONY 1/3" Color CCD
Effective Picture Elements	NTSC: 510*492, PAL: 500*582 (H*V)
Horizontal Resolution	380 TV lines
Minimum Illumination	0.1 LUX @ F2.0
S/N Ratio	More than 48 dB
Auto Electronic Shutter	NTSC: 1/60s~1/100,000s, PAL: 1/50s~1/110,000s
Gamma Characteristic	0.45
Lens Furnished	Board lens 3.6mm / F2.0
Gain Control	Automatically
White Balance	Automatically (2500K~9500K)
Synchronous System	Negative sync. Internal
Video Output	1 Vp-p Composite Video / 75 Ohms
Power Supply	DC 12V / 100 mA
Operating Temp.	-10°C to 50°C (14°F to 122°F)
Dimensions	36 mm (L) * 36 mm (W) * 20 mm (H)

Design and specifications are subject to change without notice.

### FEATURES

- > Color camera in metal case with SONY 1/3" CCD sensor.
- > Employs Digital Signal Processor (DSP) chip-set for image control.
- > Pixel number: NTSC=270K / PAL=320K.
- > High sensitivity, low smear, high anti-blooming and high S/N ratio.
- > Build-in functions: Auto Electronic Shutter (AES), Auto Gain Control (AGC), Auto White Balance (AWB).
- > Small size (36x36) and furnished with DC power cable and video cable.
- > Built-in anti-aliasing and IR-cut optical filter.

### DIMENSIONS



CCD Camera

DVR

CCTV Lens

Accessories