

Bullet CCD Camera

Long Range IR Camera



XN2H6 3.5X

FEATURES

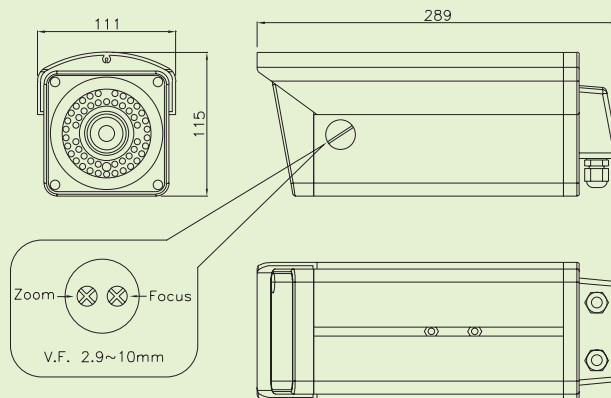
- > Bullet color camera with SONY 1/3" Super HAD CCD sensor.
- > Employs Digital Signal Processor (DSP) chip-set for image control.
- > Pixel number: NTSC=380K / PAL=440K.
- > IR projecting distance 40 meters in dark view.
- > Easy to install for both indoor and outdoor applications.
- > Integrated 2.9-10mm Vari-focal auto iris lens which provide wide zooming range with adjustable focal length.
- > Anti-Thunder circuit prevents tube struck by thunder.
- > True day & night solution with mechanical switching IR-Cut filter.

SPECIFICATIONS

Model	XN2H6 3.5X
Image Pick-up Device	Sony 1/3" CCD High Resolution
Effective Picture Elements	NTSC: 768 (H) × 494 (V); PAL: 752 (H) × 582 (V)
Synchronizing System	Internal, Negative Sync.
Horizontal Resolution	540 TV Lines
Electronic Shutter Control	Off
Gamma Characteristic	0.45
Minimum Illumination	0 Lux / IR On
S/N Ratio	More than 48dB (AGC Off)
Emitting Wavelength of LED	850nm
Emitting Angle of LED	40° IR LED x 48 Units
Video Output	1 Vp-p 75 ohm, BNC Connector
White Balance	Automatically (2500oK~9500oK)
Backlight Compensation	Yes
Gain Control	Yes
Lens Furnished	2.9-10mm Vari-Focal Auto Iris IR Lens
Water Resistance	IP66
Power Supply	DC12V
Power Consumption	610mA
Operating Temp.	-10°C ~ 50°C
IR Project Distance	40M
Dimensions	305 (L) x 110 (W) x 115 (H) mm
Weight	1.4Kgs

Design and specifications are subject to change without notice.

DIMENSIONS



www.xcore.com.tw

Xcore
Technology

Keeping the things that matter in focus.

CCD Camera

DVR

CCTV Lens

Accessories