

Bullet CCD Camera

Long Range IR Camera



IR2-2C1 ● ●
IR2-6A1 ● ●

FEATURES

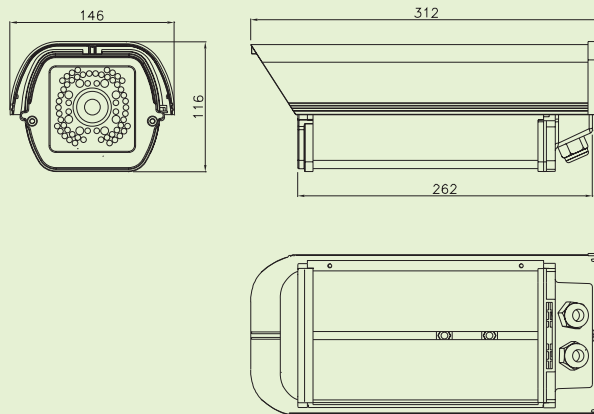
- > Bullet color camera with SONY 1/3" CCD sensor (IR2-2C1).
- > Bullet color camera with SHARP 1/3" CCD sensor (IR2-6A1).
- > Employs Digital Signal Processor (DSP) chip-set for image control.
- > Pixel number: NTSC=270K / PAL=320K.
- > High sensitivity, low smear, high anti-blooming and high S/N ratio.
- > Build-in functions: Auto Electronic Shutter (AES), Auto Gain Control (AGC), Auto White Balance (AWB).
- > Built-in anti-aliasing and IR-pass (850nm) optical filter.
- > Built-in IR-LED, CCD color image automatically changed into B/W image in low light environments.

SPECIFICATIONS

Model	IR2-2C1	IR2-6A1
Image Pick-up Device	SONY 1/3" Color CCD	SHARP 1/3" Color CCD
Effective Picture Elements	NTSC: 510*492, PAL: 500*582 (H*V)	
Horizontal Resolution	380 TV Lines	
Minimum Illumination	0 LUX with built-in IR-LED	
S/N Ratio	More than 48 dB	
Auto Electronic Shutter	NTSC: 1/60s~1/100,000s, PAL: 1/50s~1/110,000s	
Gain Control	Automatically	
White Balance	Automatically (2500K~9500K)	
Gamma Characteristic	0.45	
Lens Furnished	16mm / F1.6	
Synchronous System	Internal, Negative Sync.	
Video Output	1 Vp-p Composite Video / 75 Ohms	
Power Supply	AC90V ~ AC260V	
Operating Temp.	-10°C to 50°C (14°F to 122°F)	
Water Resistance	IP66	
IR LED	High Efficiency 850nm IR LED	
IR Project Distance	50 Meters	
Dimensions	312*146*115mm (L*W*H)	

Design and specifications are subject to change without notice.

DIMENSIONS



www.xcore.com.tw

Xcore
Technology

Keeping the things that matter in focus.