

Dome CCD Camera

IR Dome Camera



XPD2HW

FEATURES

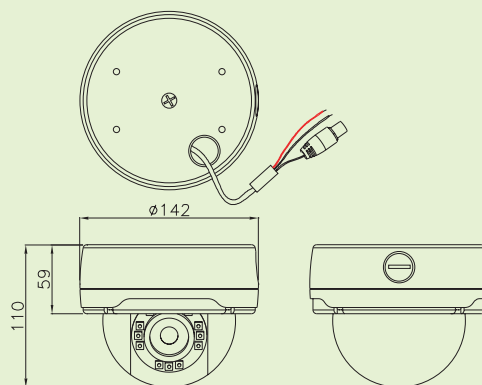
- > 1/3" SONY Super HAD CCD image sensor.
- > 3.7~12mm vari-focal auto iris lens.
- > Max. 10 pounds sledgehammer impact durability.
- > Water resistance IP66 protection.
- > Wide range viewing 3D covert bracket design.
- > Easy installation with attached cap.
- > Anti-scratch cover coating.

SPECIFICATIONS

Model	XPD2HW
Pick-up Device	SONY 1/3" CCD High Resolution
Picture Elements	PAL: 795 x 596; NTSC: 811 x 508
Horizontal Resolution	540 TV Lines
Synchronous System	Internal / Line-Lock Auto Detect
Power Consumption	500mA (DC12V)
Min. Illumination	0 Lux / IR
IR Wavelength	700~1100nm (built in 850nm)
OLPF Switching	Auto
S/N Ratio	More Than 50dB
Gain Control	ON/OFF Switch-able
Lens Furnished	3.7~12mm / F1.6 Vari-Focal DC Drive Auto Iris Lens
White Balance	Auto
Gamma Correction	0.45
B.L. Compensation	ON/OFF Switch-able
Housing Material	Metal
Video Output	1.0 Vp-p Composite Video, 75Ω
Vandal-proof	10 Pounds of Sledgehammer Durability
Water Resistance	IP66
Power Supply	DC 12V / AC 24V Dual Power
Operating Temperature	-10°C to 50°C (14°F to 122°F)

Design and specifications are subject to change without notice.

DIMENSIONS



www.xcore.com.tw

Xcore
Technology

Keeping the things that matter in focus.

CCD Camera

DVR

CCTV Lens

Accessories