

Dome CCD Camera

Dome Camera



XD237 ●
 XD2H7 ● ● ●

FEATURES

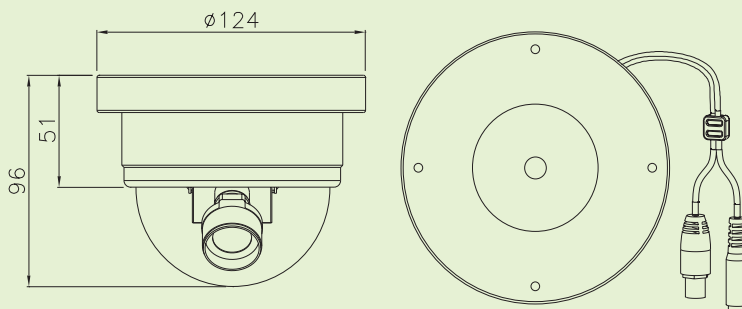
- > Color dome camera with SONY 1/3" CCD sensor.
- > Employs Digital Signal Processor (DSP) chip-set for image control.
- > Pixel number: NTSC=270K / PAL=320K (Normal Resolution).
 NTSC=380K / PAL= 440K (High Resolution).
- > High sensitivity, low smear, high anti-blooming and high S/N ratio.
- > Built-in functions: Auto Electronic Shutter (AES), Auto Gain Control (AGC), Auto White Balance (AWB).
- > Built-in Vari-focal DC-drive auto iris lens.
- > Furnished with DC power cable and video cable.
- > Vandal resistant withstand 10 pounds sledgehammer.
- > Water resistant pass IP66.

SPECIFICATIONS

Model	XD237	XD2H7
Image Pick-up Device	SONY 1/3" CCD Normal Resolution	SONY 1/3" CCD High Resolution
Effective Picture Elements	NTSC: 510*492, PAL: 500*582 (H*V)	NTSC: 768*494, PAL: 752*582 (H*V)
Horizontal Resolution	380 TV lines	540 TV lines
Minimum Illumination	0.06 LUX @ F1.6	0.12 LUX @ F1.6
S/N Ratio	More than 48 dB	
Auto Electronic Shutter	NTSC: 1/60s, PAL: 1/50s	
Gamma Characteristic	0.45	
Lens Furnished	3.3~12.0mm/F1.6 Vari-Focal DC drive auto iris lens	
Gain Control	Automatically	
White Balance	Automatically (2500K~9500K)	
Synchronous System	Negative sync. Internal	
Video Output	1 Vp-p Composite Video / 75 Ohms	
Power Supply	DC 12V / 150 mA	DC 12V / 200 mA
Operating Temp.	-10°C to 50°C (14°F to 122°F)	
Dimensions	124mm (Φ) X 97mm (H)	

Design and specifications are subject to change without notice.

DIMENSIONS



CCD Camera

DVR

CCTV Lens

Accessories