

Box CCD Camera

Color Box CCD Camera



XC239B ●
 XC2H9B ● ● ●

FEATURES

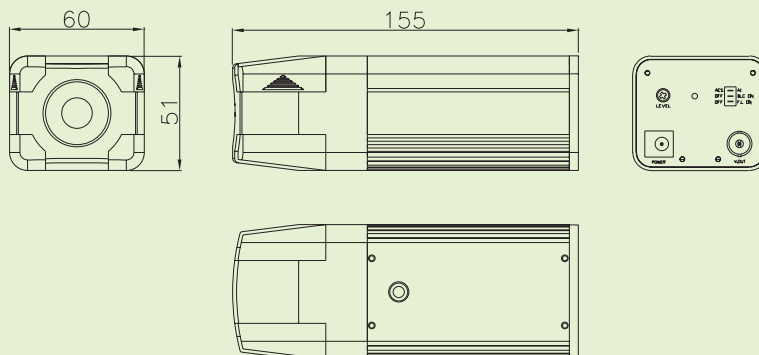
- > Color camera with SONY 1/3" Super HAD CCD sensor in metal case.
- > Employs Digital Signal Processor (DSP) chip-set for image control.
- > Pixel number: NTSC=270K / PAL=320K (Normal Resolution).
 NTSC=380K / PAL=440K (High Resolution).
- > High sensitivity, low smear, high anti-blooming and high S/N ratio.
- > Powerful functions: Built-in Auto Iris Lens, Auto Electronic Shutter (AES), Flickerless, Auto Gain Control (AGC), Auto White Balance (AWB), Back Light Compensation (BLC).
- > Built-in anti-alasing optical filter.

SPECIFICATIONS

Model	XC239B	XC2H9B
Image Pick-up Device	SONY 1/3" CCD Normal Resolution	SONY 1/3" CCD High Resolution
Effective Picture Elements	NTSC: 510*492, PAL: 500*582 (H*V)	NTSC: 768*494, PAL: 752*582 (H*V)
Horizontal Resolution	380 TV lines	540 TV lines
Minimum Illumination	0.06 LUX @ F1.6	0.12 LUX @ F1.6
Auto Electronic Shutter	AES ON: NTSC: 1/60s~1/100,000s, PAL: 1/50s~1/110,000s OFF: NTSC: 1/60s, PAL: 1/50s	
Auto Iris Control	Built-in DC drive auto iris lens	
Gamma Characteristic	0.45	
Lens Furnished	3.3~12mm/F1.6 Vari-Focal auto iris lens	
Gain Control	Automatically	
White Balance	Automatically (2500K~9500K)	
Back Light Compensation	ON/OFF Switch-able	
Flickerless	ON/OFF Switch-able (ON: NTSC: 1/100s, PAL: 1/120s)	
Synchronous System	Negative sync. Internal	
Video Output	1 Vp-p Composite Video / 75 Ohms. BNC connector	
Power Supply	DC 12V / AC24V / AC110V / AC230V 3.5W	
Operating Temp.	-10°C to 50°C (14°F to 122°F)	

Design and specifications are subject to change without notice.

DIMENSIONS



www.xcore.com.tw

Xcore
 Technology

Keeping the things that matter in focus.

CCD Camera

DVR

CCTV Lens

Accessories