

Box CCD Camera

Color Box CCD Camera



XC611		
XC611R	●	
XC621	●	●
XC621R	●	●

FEATURES

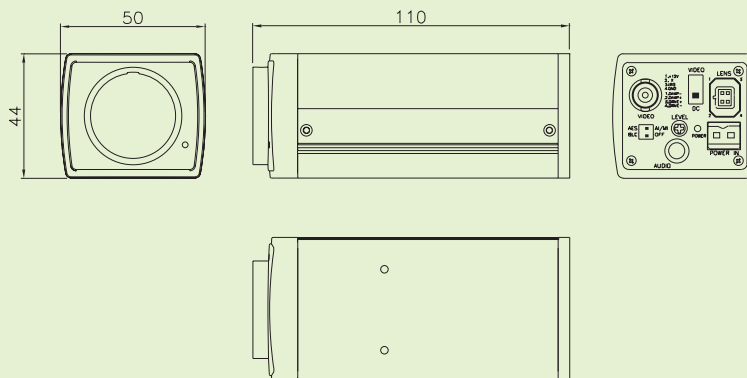
- > Color camera with SHARP 1/3" CCD sensor in metal case.
- > Employs Digital Signal Processor (DSP) chip-set for image control.
- > Pixel number: NTSC=270K / PAL=320K (Normal Resolution).
NTSC=380K / PAL= 440K (High Resolution).
- > High sensitivity, low smear, high anti-blooming and high S/N ratio.
- > Powerful functions: Auto Electronic Shutter (AES), Auto Iris(AI), Auto Gain Control (AGC), Auto White Balance (AWB), Back Light Compensation (BLC).
- > Supports Auto Iris Lens: both Video-Drive & DC-Drive lens.
- > Supports both C and CS mount lens.
- > Built-in anti-aliasing and IR-cut optical filter (XC611 & XC621).
- > Built-in anti-aliasing and IR-pass (850nm) optical filter (XC611R & XC621R).

SPECIFICATIONS

Model	XC611	XC621
Image Pick-up Device	SHARP1/3" CCD Normal Resolution	SHARP 1/3" CCD High Resolution
Effective Picture Elements	NTSC: 510*492, PAL: 500*582 (H*V)	NTSC: 768*494, PAL: 752*582 (H*V)
Horizontal Resolution	380 TV lines	470 TV lines
Minimum Illumination	0.05 LUX @ F1.2	0.1 LUX @ F1.2
S/N Ratio	More than 48 dB	
Auto Electronic Shutter	AES ON: NTSC: 1/60s~1/100,000s, PAL: 1/50s~1/110,000s OFF: NTSC: 1/60s, PAL: 1/50s	
Auto Iris Control	Video-Drive Lens & DC-Drive Lens both supported	
Gamma Characteristic	0.45	
Lens Mount	C or CS mount adjustable	
Gain Control	Automatically	
White Balance	Automatically (2500K~9500K)	
Back Light Compensation	ON/OFF Switch-able	
Synchronous System	Negative sync. Internal	
Video Output	1 Vp-p Composite Video / 75 Ohms. BNC connector	
Power Supply	DC 12V / AC24V / AC110V / AC230V 3W	
Operating Temp.	-10°C to 50°C (14°F to 122°F)	
Audio (Option)	2Vp-p 50 Ohms. RCA connector	

Design and specifications are subject to change without notice.

DIMENSIONS



CCD Camera

DVR

CCTV Lens

Accessories