

MODEL NO. : LM- 6323 N/P

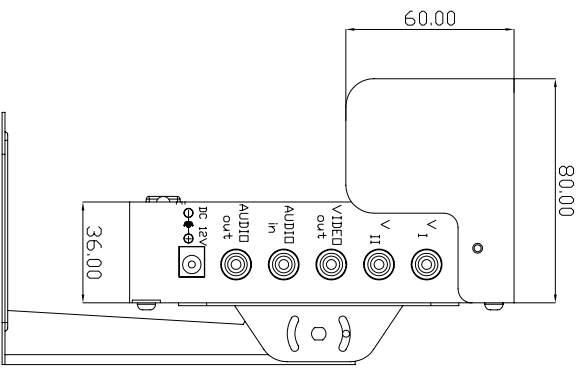
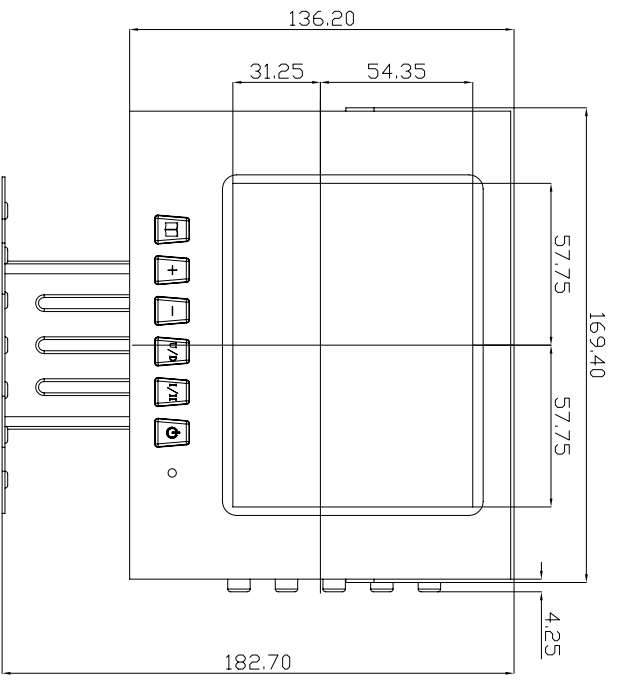
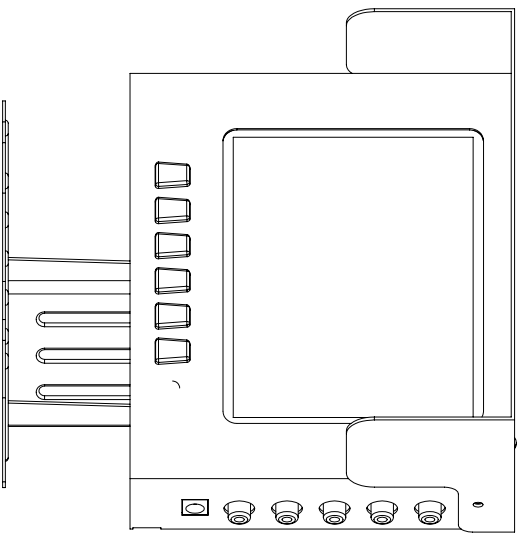
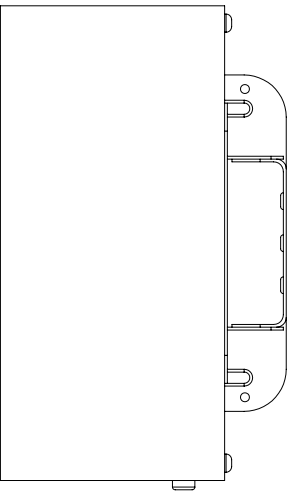
SPECIFICATION

◆ DISPLAY SCREEN	SIZE	5.6" INCHES
	ELEMENT	COLOR TFT LCD
	RESOLUTION	960(W)X234(H)
◆ VIDEO SYSTEM	NTSC / PAL dual System	
	NTSC	f_H : 15.75 KHz
		f_V : 60 Hz
		f_C : 3.58 MHz
	PAL	f_H : 15.625 KHz
		f_V : 50 Hz
		f_C : 4.43 MHz
◆ RANGE OF OPERATING VOLTAGE	DC12-28V	
◆ VIEWING ANGEL	L/R : 50 Deg. / 50 Deg	
	Top : 30 Deg.	
	Down : 50 Deg.	
◆ POWER CONSUMPTION	450 mA , 7W Max.	
◆ OPERATING TEMPERATURE	0°C ~ 60°C	
◆ STORAGE TEMPERATURE	-25°C ~ 80°C	
◆ OPERATING HUMIDITY	95% RH	
◆ STORAGE HUMIDITY	85% RH	
◆ OVERALL DIM.	169.40(W) x 182.70(H) x 36.0 (D) mm	
◆ REVERSE IMAGE	Left, Right, Up, Down	
◆ WEIGHT	700g	

FEATURES

1. 2 Video Inputs, 1 Video out
2. 1 Audio Input
3. 1 Audio Output (Ear-Phone)
4. LEFT, RIGHT, UP, DOWN Reverse Image
5. OSD control: Brightness, Contrast...

REVISION			
ISSUE ZONE	DESCRIPTION	DATE	REVISER



VIEWTEK®		MODEL NO.		PARTS NO.		DWG. DATE		MATERIAL		UNIT		PARTS NAME	
LEE MING INDUSTRIAL CO., LTD		LM6323				2006/09/05		SCALE		mm		Line Drawing	
DESIGN		CHECKED		APPROVED		REV. DATE		FREE		REV		FILE NO.	
DRAWING NO.													

