



Limitless Angles



HM-L1

HM-L2



HM-L1/HM-L2

Camera omni-directional fixing bracket

Smooth streamline Angle of view great around

Innovation streamline design, elegantly smooth modeling, unique three ways $180^{\circ} \times 360^{\circ} \times 360^{\circ}$ bending adjustment. It's the omni-directional non-dead angle characteristic and causes more convenient to install. Two kind of models and the specification to be chosen to meet each kind of different demand.



HM-L2



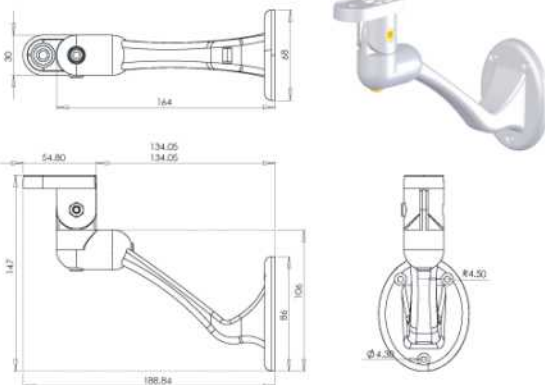
HM-L1



Size of appearance:

HM-L1

L1 Thermostabile ABS



HM-L2

L2 Aluminum zinc alloy

