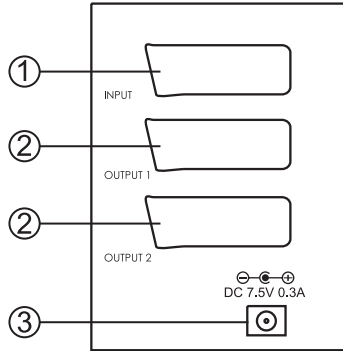


Features

1. Loop through facility allows you to connect further 2 way amplifiers.
2. Easy to connect- just use any Scart to Scart cables.
3. Ideal for duplication of video tapes or shop and showroom displays.

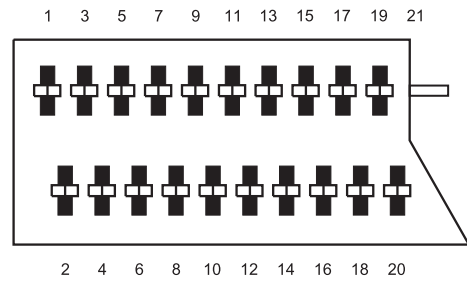
Operation Controls and Functions

Top Panel



1. Input scart connector:
21-pin scart connector for Audio/Video input.
2. Output scart connectors: 21-pin scart connectors for distributed parallel Audio/Video output.
3. DC 7.5V 300mA

Operation Controls and Functions



Scart Lead (Input/Output)

- | | |
|-----------------------------------|------------------------------|
| 1. Audio output 1, Right channel. | 11. RGB Green input. |
| 2. Audio input 1, Right channel. | 12. Bypass. |
| 3. Audio output 2, Left channel. | 13. GND. |
| 4. GND. | 14. GND. |
| 5. GND. | 15. Chroma or RGB Red input. |
| 6. Audio input 2, Left channel. | 16. Bypass. |
| 7. RGB Blue input. | 17. GND. |
| 8. Bypass. | 18. GND. |
| 9. GND. | 19. Video output. |
| 10. Bypass. | 20. Video Input. |
| | 21. GND/Shield. |

Specifications

Video In/Out: 1 vp-p 75 ohm
 Y/C input with pin-15 and pin-20: 1 Vp-p 75 ohm
 Y/C output with pin-15 and pin-19: 1 vp-p 75 ohm
 RGB input/output with: Pin-15(R),Pin-11(G),Pin-7(B)
 Audio In/Out: 450mVrms
 Video Frequency: > 10 MHz (-3 dB)
 Differential Gain: < 2 %
 Differential Phase: < 2 Deg
 Accesories: DC 7.5V 300mA Ac Adaptor.

SC-AMP 2

2 Way Stereo Audio/Video Distribution Amplifier

Operation manual