

# 4x1

# Video/S-Video

# Switcher

*Operation Manual*



**CVSD-41AR**

## Application:

CVSD-41AR CV/SV switcher is designed for switching between video & S-video sources. Such as VCR,DVD player... to share one TV display.

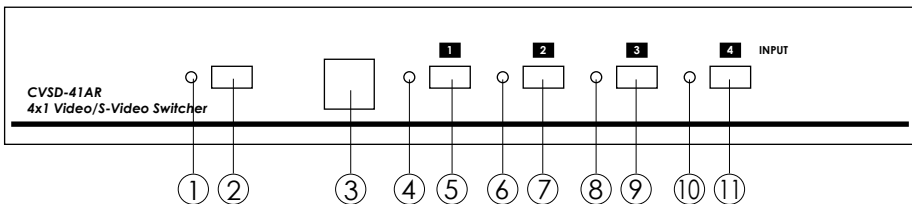
## Features:

- LED indicators.
- IR remote control
- Support standard video sources: 480i, 576i.
- Plug and play, easy to install and operate.
- CVSD-41AR can be controlled either through input selection button on the front panel or using included infrared remote control.
- RS-232 interface allows control from a distant device.
- Ideal for presentation and large shop integration.
- Support audio format: L/R (analog) or PC AMP speaker system (option)

## Package includes:

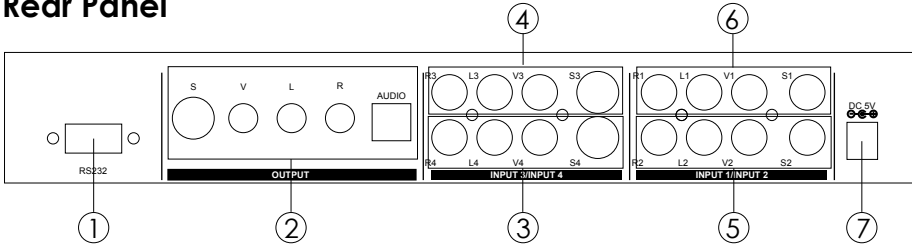
- CVSD-41AR unit.
- IR remote control
- 5VDC power supply, center +.
- A 3A lithium battery.
- Manual
- One set of 1 RCA-1 RCA video cable
- One set of S-video cable
- One set of 2 RCA-2 RCA audio cable

## Front Panel



1. Power indicator LED.
2. Power ON/OFF switch: Push the button to turn ON/OFF the power.
3. IR sensor: Infrared remote control sensor.
4. Input 1 indicator LED .
5. Input 1 switch: Push the button, LED lights up, source 1 is selected.
6. Input 2 indicator LED.
7. Input 2 switch: Push the button, LED lights up, source 2 is selected.
8. Input 3 indicator LED .
9. Input 3 switch: Push the button, LED lights up, source 3 is selected.
10. Input 4 indicator LED.
11. Input 4 switch: Push the button, LED lights up, source 4 is selected.

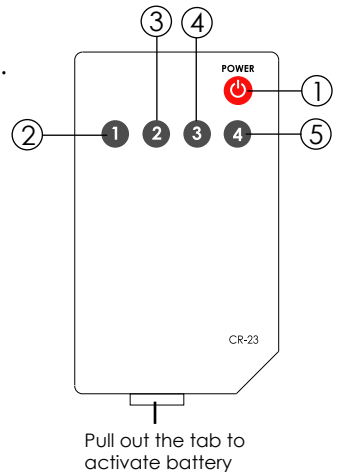
## Rear Panel



1. RS-232: 9-pin D-sub femal connector for connecting to your other control console for remote control.
2. CV/SV+Audio output: Use a CV/SV cable to cnnect to your display.  
Use a 1 RCA to 1 RCA video cable to your display.  
Use a 2 RCA to 2 RCA audio cable to your display.  
(Option) connects to your PC AMP speaker system.
3. CV/SV + Audio input 4: Use a CV/SV cable to connect to your source 4.
4. CV/SV + Audio input 3: Use a CV/SV cable to connect to your source 3.
5. CV/SV + Audio input 2: Use a CV/SV cable to connect to your source 2.
6. CV/SV + Audio input 1: Use a CV/SV cable to connect to your source 1.
7. DC power jack : 5V1A power input ,center +.

## Remote Control

1. Power: Switch between power ON and Standby.
  2. Press button 1 to select source 1.
  3. Press button 2 to select source 2.
  4. Press button 3 to select source 3.
  5. Press button 4 to select source 4.
- Note: Replacement battery can be found at a local electronic retail store.



# Specifications

Input	Video: S-Video: Analog Audio: (L/R)	1 Vp-p @75 ohm Y: 1 Vp-p @ 75 ohm C: 0.286 Vp-p @75 ohm 2Vrms max 47 k ohm
Output	Video: S-Video: Analog Audio: (L/R)	1 Vp-p @75 ohm Y: 1 Vp-p @ 75 ohm C: 0.286 Vp-p @75 ohm 2Vrms max 47 k ohm
PC /YPbPr Bandwidth	650 MHz (-3db)	
Differential gain	0.05%	
Differential phase	0.05 degree	
Power consumption	5 Watts (max.)	
Power	5V 1A AC adaptor	
Dimensions	292(W)x 73(D) x 44(H)mm	
Unit gross	1.5Kgs	

# Connection and Installation

