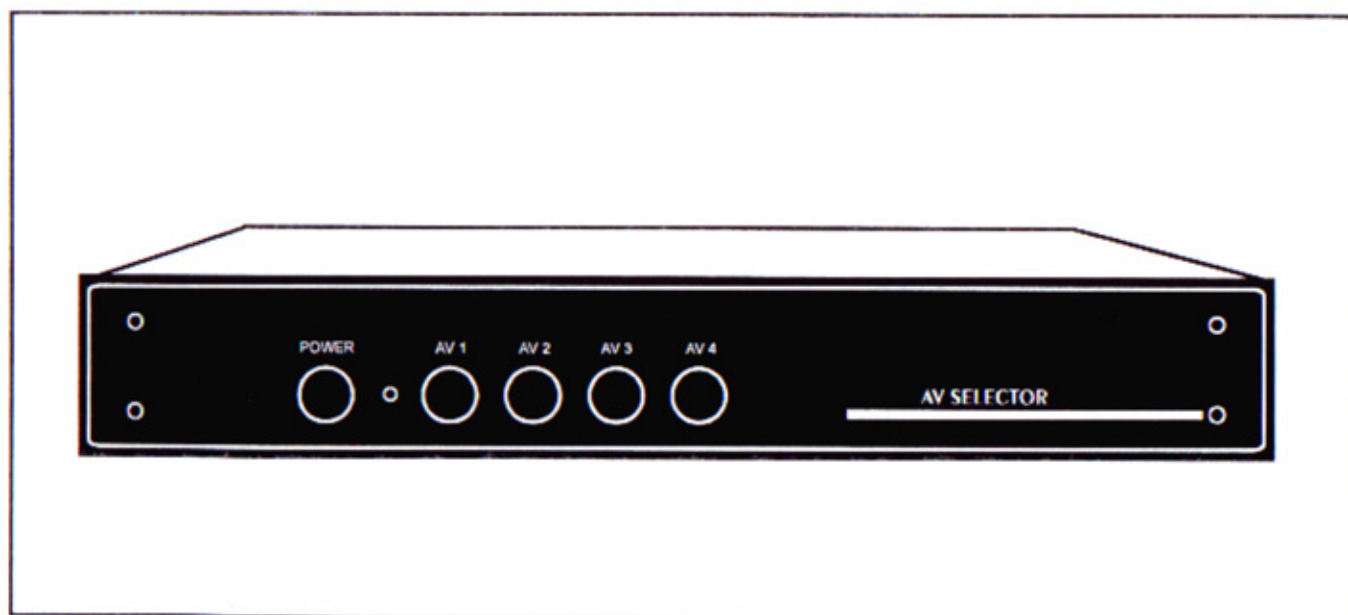


STEREO AV SELECTOR

Operation Manual

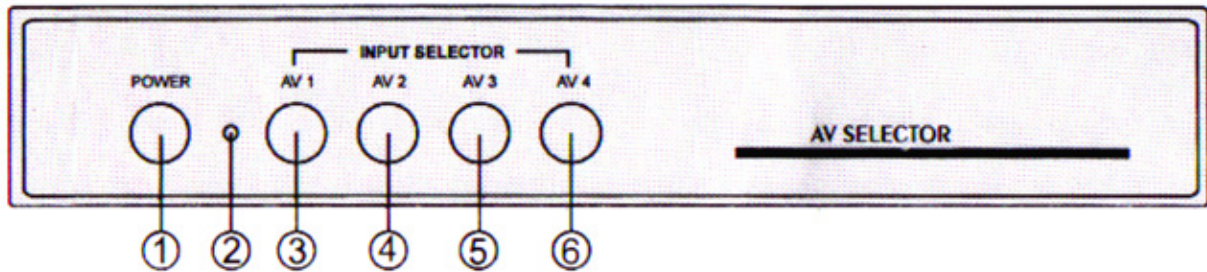


Features

- ◆ Connect up to 4 input AV sources and 4 output TVs (or VCR) for viewing or recording. Select one of the four input sources through switches on the front and you get 4 parallel outputs.
- ◆ Superb picture and sound quality; no degradation during the switching and distributing process.
- ◆ Built-in level clamping circuit ensures a smooth transition when switching from one video source into another.
- ◆ Compatible with NTSC, PAL and SECAM system.

Operation Controls and Functions

Front panel



1. Power ON/OFF switch:

Push the button to turn ON/OFF the power.

2. Power LED.

3. AV 1 switch:

Push the button to select AV 1 as the source for 4 distributed outputs.

4. AV 2 switch:

Push the button to select AV 2 as the source for 4 distributed outputs.

5. AV 3 switch:

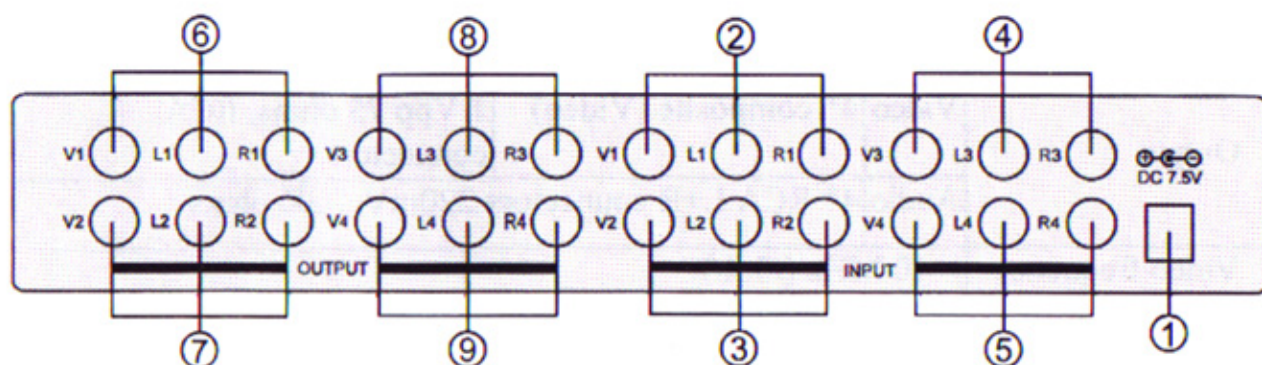
Push the button to select AV 3 as the source for 4 distributed outputs.

6. AV 4 switch:

Push the button to select AV 4 as the source for 4 distributed outputs.

Operation Controls and Functions

Rear panel



1. DC 7.5V

7.5volt, 5W DC input.

2. Input 1 connectors:

Input connectors for Audio (L+R) and Video 1.

3. Input 2 connectors:

Input connectors for Audio (L+R) and Video 2.

4. Input 3 connectors:

Input connectors for Audio (L+R) and Video 3.

5. Input 4 connectors:

Input connectors for Audio (L+R) and Video 4.

6. Output connectors 1:

First output connectors of the selected input A/V source.

7. Output connectors 2:

Second output connectors of the selected input A/V source.

8. Output connectors 3:

Third output connectors of the selected input A/V source.

9. Output connectors 4:

Fourth output connectors of the selected input A/V source.

Specifications

Input	Video	4* composite (Video)	1Vpp 75 ohms, RCA connectors
	Audio	4* RCA L+R connectors , 220mV, 22K ohms	
Output	Video	4* composite (Video)	1 Vpp 75 ohms, RCA connectors
	Audio	4* RCA L+R connectors 220mV, 22K ohms	
Video frequency response	> 10 MHz (-3db)		
Audio frequency response	> 20 K(-3db)		
Differential gain	< 2%		
Differential phase	< 2 DEG		
Power	7.5 volt, 220mA AC adapter		

Installation

