

# PC to Video Converter

**Operation Manual**

## **Features**

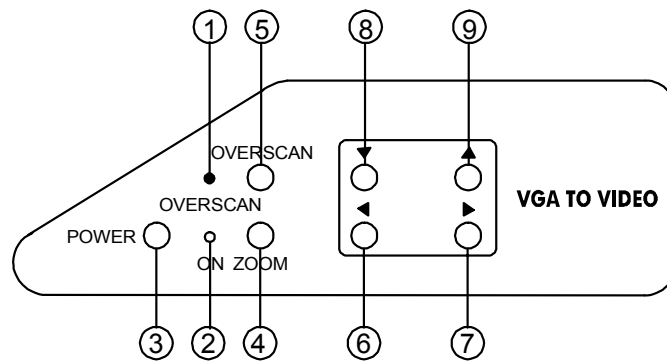
- ◆ It converts three VGA mode-1024\* 768, 800\* 600, 640\* 480 into NTSC or PAL video.
- ◆ Plug - and - play design, no software drive required.
- ◆ Cross-platform compatibility for PC, Macintosh and Note book.
- ◆ Zoom & Pan.
- ◆ Vertical and horizontal overscan/underscan control.
- ◆ Simultaneous display on PC and TV monitor.
- ◆ Composite,S-Video (S-VHS or Hi-8 ) output.
- ◆ Automatically supports scan rate from 50 Hz up to 100 Hz.
- ◆ Palm size, ideal for hand held.

## **Applications**

- Enjoy PC games,PC movies and Internet on TV.
- Education and business presentation.

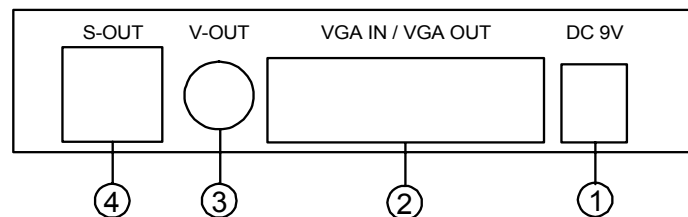
## Operation Controls and functions

### Top panel



- 1. Standby Indicator:** The indicator will light when in standby mode.
- 2. ON Indicator:** The indicator will light when in power ON mode.
- 3. Power Button:** Push the button to turn power ON or OFF.
- 4. Zoom Button:** Push the button to zoom the picture.
- 5. Overscan Button:** Push the button to overscan /underscan the picture.
- 6. ◀ Button:** Push the button to pan the picture left.
- 7. ▶ Button:** Push the button to pan the picture right.
- 8. ▼ Button:** Push the button to pan the picture down.
- 9. ▲ Button:** Push the button to pan the picture up.

### Side Panel



1. DC Power supply 9V input.
2. VGA IN and VGA OUT.
3. Video out -RCA jack.
4. S- Video out.

## Specifications

**Input signal:** VGA, Macintosh or Note book

Horizontal frequency: 24 KHz-48 KHz

Vertical frequency: 50 Hz-100 Hz

**Output signal:** Composite video,S-Video (NTSC or PAL preset during manufacturing), VGA loop-thru output.

**Power supply:** 9V DC 500mA

**Dimension:** 145 (D) X 90 (W) X 33 (H) mm

**Accessory:** AC Adaptor, One set of video cable, One set of D-SUB cable.

**Weight:** 200g

## Connection and Installation

