

Video system Up-scan Converter

Operation Manual

Precautions

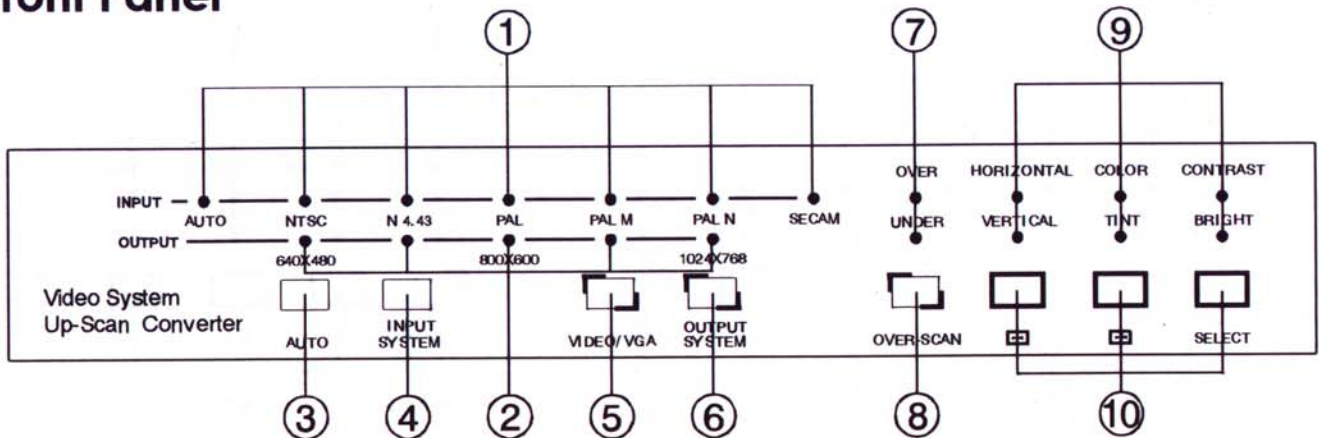
1. Do not expose this product to direct sunlight.
2. Keep the unit away from radiator, heat sources and magnetic field.
3. Do not place it in very dusty or humid locations.
4. Use this unit in a horizontal position only.
5. Do not put heavy object on top of the converter.
6. Put the unit in an open space that has a good ventilation.
7. Keep the unit away from TV or other electronic equipment if the unit is affected.
8. Unplug the unit from the power supply when it is not to be used for a long period of time.

Features

1. Convert any video system to any other video systems and computer display system.
2. When converting PAL to PC mode, its frame rate is converted to 60 Hz, to ensure vertical frequency compatibility with the 60 Hz-only LCD-display monitor.
3. Input video system auto detected.
4. Digital conversion from input TV signals of NTSC 3.58, NTSC 4.43, PAL, PAL M, PAL N, SECAM to output signals of NTSC 3.58, NTSC 4.43, PAL, PAL M, PAL N, PC (640 x 480)60Hz, (800 x 600) 60Hz, (1024 x 768) 60 Hz.
5. 8 bit broadcast quality color decoding.
6. Digital comb filter for input system decoding.
7. Built-in Time Base Correction(T.B.C.) function for signal synchronization.
8. Built-in Automatic Gain Control(A.G.C.) function ensures 1 Vp-p output signal (Input level can range from 0.5Vp-p to 2 Vp-p).
9. Full digital decoding and encoding; highly integrated digital processing reduces the board size and ensures reliable quality.
10. A color-bar pattern will automatically appear on TV screen when there is no video signal present on the input.
11. TBC is active constantly, even in the bypass mode.
12. Adjustable control on Contrast, Brightness, Color, Tint and Horizontal/Vertical phase.

Operation Controls and Functions

Front Panel



1. Input video system indicator:

AUTO, N3, N4, PAL, PAL M, PAL N, SECAM

1. Illuminates when input auto detection mode is selected.
2. Illuminates when input system is set to NTSC 3.58.
3. Illuminates when input system is set to NTSC 4.43.
4. Illuminates when input system is set to PAL (BDGIK).
5. Illuminates when input system is set to PAL M.
6. Illuminates when input system is set to PAL N.
7. Illuminates when input system is set to SECAM.

Note: When in auto detection mode one of the system indicator will also illuminate to show video system of the input.

2. Output video system indicator:

A. Red LED illuminates when VIDEO mode is selected.

N3, N4, PAL, PAL M, PAL N

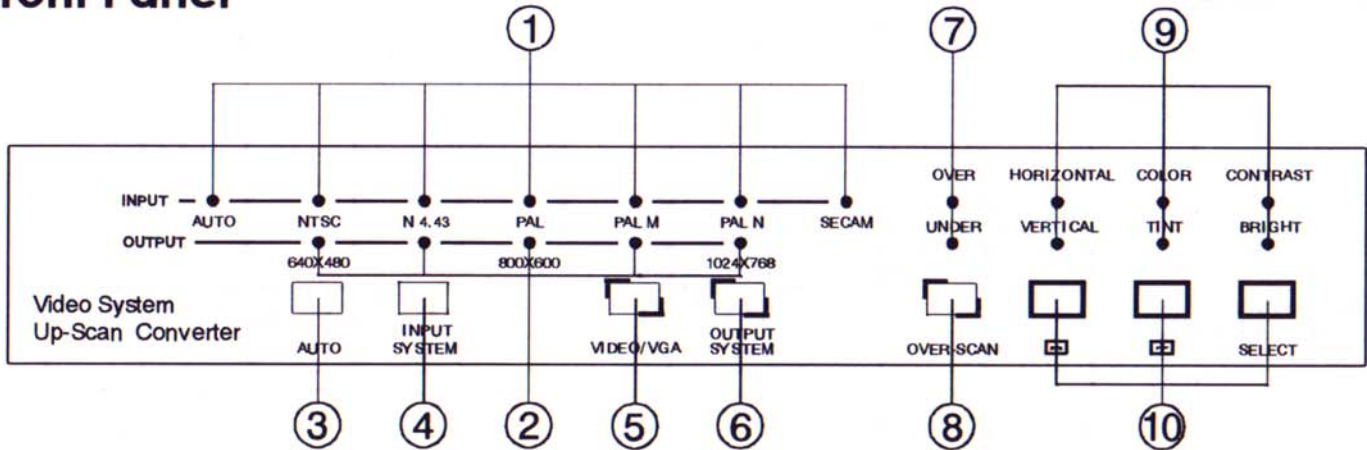
1. Illuminates when output system is set to NTSC 3.58.
2. Illuminates when output system is set to NTSC 4.43.
3. Illuminates when output system is set to PAL (BDGIK).
4. Illuminates when output system is set to PAL M.
5. Illuminates when output system is set to PAL N.

B. Green LED illuminates when VGA mode is selected.

1. Illuminates when output system is set to VGA 640x480.
2. Illuminates when output system is set to VGA 800x600.
3. Illuminates when output system is set to VGA 1024x768.

Operation Control and Functions

Front Panel



3. Input auto detection button:

Push the button to auto mode, in which the LED lights and the machine will automatically detect the system of the input.

Push the button again to manual mode, in which the LED turned off, and the user has to manually select the input system through input button select.

4. Input system select button:

Each depression of the button step through a series of video system and auto detection mode.

The sequence of selection is as follows:

NTSC 3.58 → NTSC 4.43 → PAL (BDGIK) → PAL M → PAL N → SECAM →

5. VIDEO/VGA mode select button:

Press once to obtain the output signal in VIDEO mode.

Press twice to obtain the output signal in VGA mode.

6. Output system select button:

A. In VIDEO mode:

Each depression of the button step through a series of video system and auto detection mode.

The sequence of selection is as follows:

NTSC 3.58 → NTSC 4.43 → PAL (BDGIK) → PAL M → PAL N →

B. In VGA mode:

Each depression of the button step through a series of video system and auto detection mode.

The sequence of selection is as follows:

640X480 → 800X600 → 1024X768 →

7. OVER/UNDER indicator:

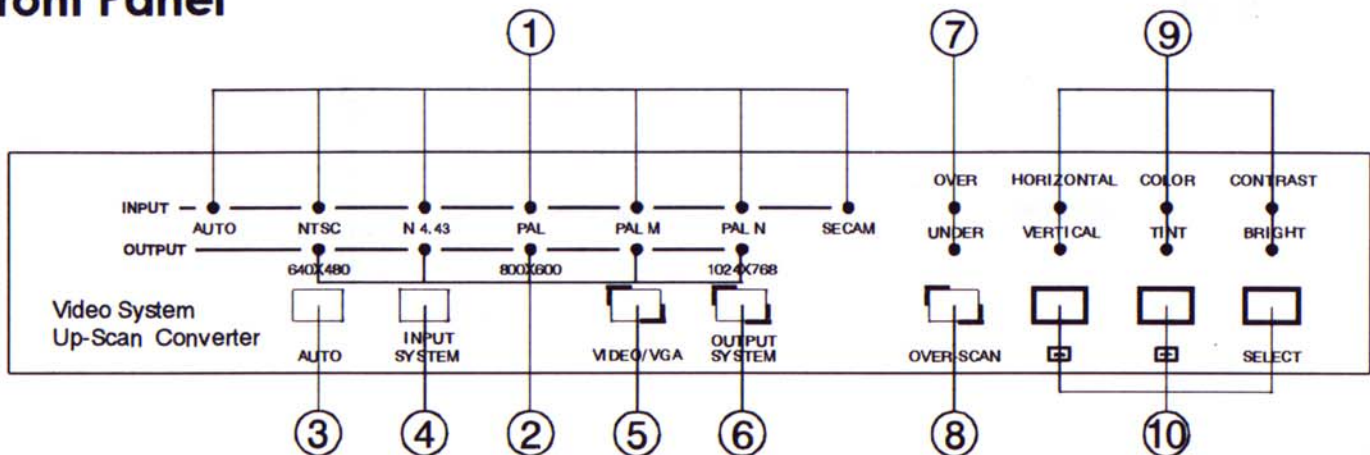
Illuminates when overscan or under scan function is selected on the VGA mode.

8. OVER-SCAN select button:

Overscan and under scan function could be selected on the VGA mode.

Operation Controls and Functions

Front Panel



9. Picture adjustment indicators:

1. Contrast indicator:

When it lights up, use or button to adjust picture contrast.

2. Brightness indicator:

When it lights up, use or button to adjust picture brightness.

3. Color indicator:

When it lights up, use or button to adjust picture color.

4. Tint indicator:

When it lights up, use or button to adjust picture tint.

*5. Horizontal indicator:

When it lights up, use or button to adjust picture horizontal.

*6. Vertical indicator:

When it lights up, use or button to adjust picture vertical.

*5,6 functions are available only under VGA mode.

10. Picture adjustment controls:

1. Select: Press this button repeatedly to choose what picture adjustment you wish to do.

Each depression of the button will lead to a change on the controls as follows:

Contrast → Brightness → Color → Tint → Horizontal → Vertical

2. : Press this button for adding picture effects value.

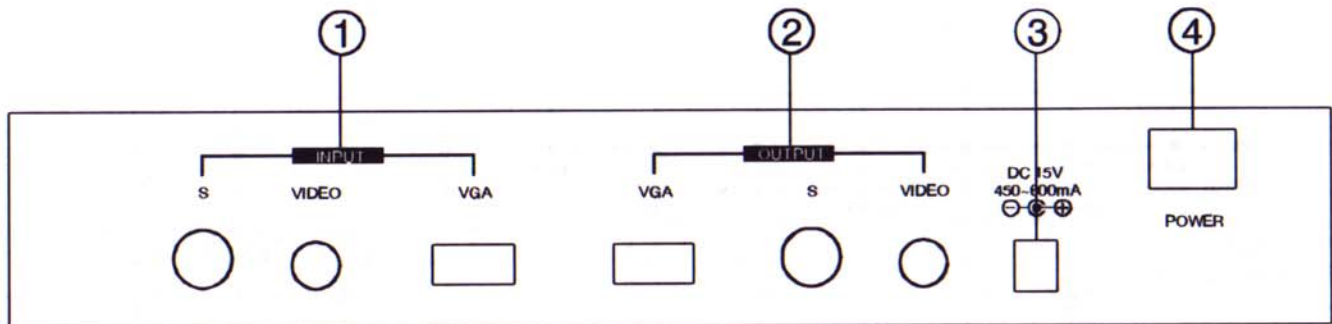
3. : Press this button for reducing picture effects value.

4. + : Press and simultaneously, the setting of the selected control will be reset to its default value.

Press and simultaneously for over 3 seconds, all controls will be reset to their default values.

Operation Control and Functions

Rear Panel



1. Video input:

Use input selector on the front panel to select the wanted input. S-video has the priority over composite video when both are connected. If S-video is not connected, the composite video will take effect.

2. Video output:

Three different output formats:

1. Composite
2. S-VHS input.
3. VGA output.

3. DC 15V 450~600mA

4. Power ON/OFF

Specifications

Input systems	NTSC 3.58, NTSC 4.43, PAL, PAL M, PAL N, SECAM
Output systems	NTSC 3.58, NTSC 4.43, PAL, PAL M, PAL N
VGA output system	(640x480)60Hz, (800x600)60Hz, (1024x768)60Hz
Connection terminals	Video input: 1 ; S-Video input: 1; VGA input: 1 (For PC By-Pass) Video output: 1 ; S-Video output: 1; VGA output: 1
Sampling frequency	Y : 13.5 MNz R-Y: 6.75 MHz B-Y: 6.75 MHz
Digital cord bit	Y : 8 bits R-Y: 8 bits B-Y: 8 bits
Line conversion	Video: 526 ↔ 625 lines VGA: 525 ↗ 525, 628, 806 lines 625 ↘
Field conversion	Video: 60 ↔ 50 fields VGA: 50 ↗ 60Hz 60 ↘
Power supply	DC 15V 450~600mA
Dimensions	300(W)x 242(D)x 55(H)mm
Weight	2.0 kgs
Accessory	One RCA cable, One S-VHS cable, One VGA cable