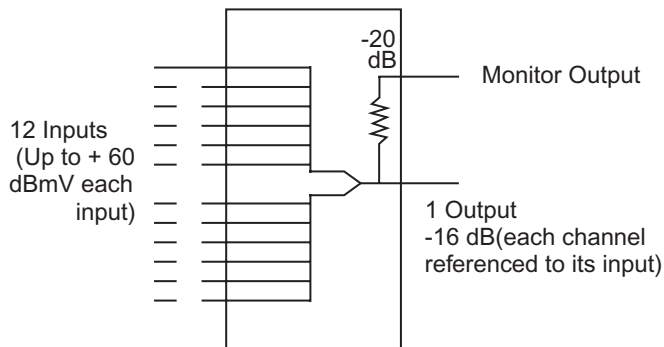


# CB-12 12-Way Passive Combiner

# CB-16 16-Way Passive Combiner

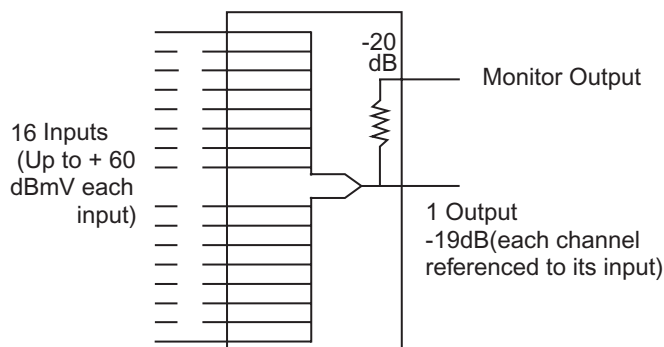
## CB-12



### Specifications:

Frequency Range	5-600MHz
Insertion Loss	16 dB nominal
Port-port Isolation	30 dB
Maximum Input	+60 dBmV, each input
Impedance	75 ohms
Return Loss	12dB minimum
Monitor Test Point	-20 dB (referenced to output)
Shielding	Meets Fcc Part 76 requirements when operated at rated input levels.
Operating Temperature	-20°C to + 50°C
Dimensions	481(W) x 135(D) x 44 (H)mm
Weight	2.0KGS
Packing	1PC/Inner Box, 9PCS/22.0KGS/2.91'/CTN

## CB-16



### Specifications:

Frequency Range	5-600MHz
Insertion Loss	19 dB nominal
Port-port Isolation	30 dB
Maximum Input	+60 dBmV, each input
Impedance	75 ohms
Return Loss	12dB minimum
Monitor Test Point	-20 dB (referenced to output)
Shielding	Meets Fcc Part 76 requirements when operated at rated input levels.
Operating Temperature	-20°C to + 50°C
Dimensions	481(W) x 135(D) x 44 (H)mm
Weight	2.0KGS
Packing	1PC/Inner Box, 9PCS/22.0KGS/2.91'/CTN