

VIDEO CAPTURE MONITOR

Multimedia Advertising & Surveillance System



Description

This capture system produces clear images with the vivid color with high resolutions display. The system included OSD (On Screen Display manual) user control interface with high sensitivity IR remote controller to provide a easy-to-use adjustments.

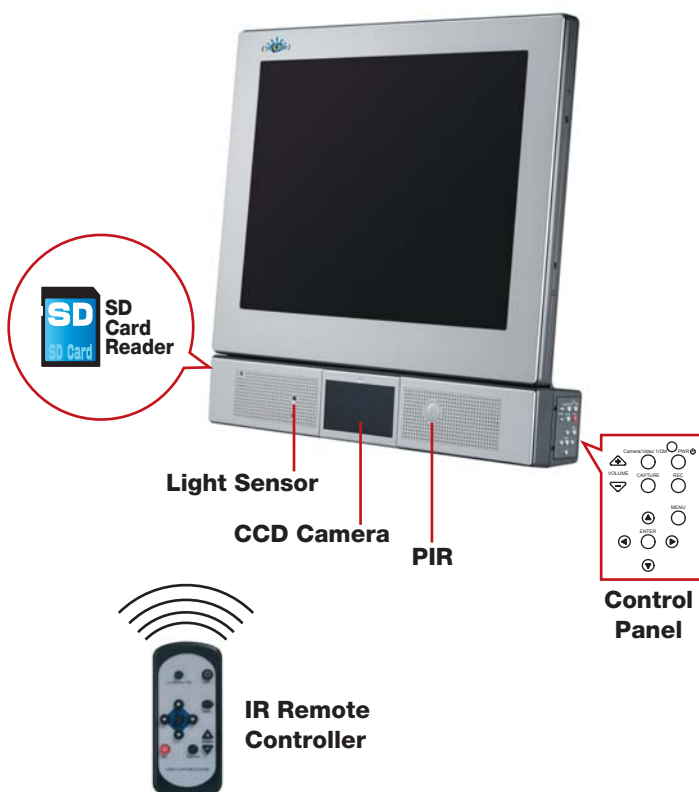
Scope

This specification defines the requirements for the video capture system. The system included

1. 20 inch TFT LCD display
2. CCD camera
3. SD memory card reader
4. Video Image encoder / decoder and processing
5. The system designed for play advertisement picture and support security recorder.

Requirements Function System:

1. Advertisement play back :Play advertisement video from memory card.
2. Auto Switcher :System showed internal.camera and video 1 image with automatic switch with defined period.The switching period can be setting by end user through OSD function.
3. Image capture/record:Using the internal CCD camera to capture picture/record. Or from external devices.
4. Text Generator: The system provide text generation function for generate text overlap on advertisement picture.
5. Event trigger function: There are 3 event trigger function included passive infrared detector (PIR) and 2 external trigger function.
6. Power saving function:
7. Real time clock: Yr/Mon/date/time.
8. IR remote controller
9. Built in SD memory card reader.



VIDEO CAPTURE MONITOR

Multimedia Advertising & Surveillance System

VCM-20V0x

LCD System	Size	20.1"
	LCD Display	20.1" TFT LCD panel
	Screen size	510mm diagonal
	Viewable size (4:3)	408mm(H) x 306mm(V)
	Lamp life time	50,000hours
	Pixel pitch	0.51(H) x 0.51(V)mm
	Max. Resolution	800 x 600
	Scan Freq. Horizontal	30K~80KHz
	Vertical	56Hz~75Hz
	Contrast ratio	500:1 (TYP.)
	Brightness	480cd/m ² (TYP.)
	Response Time Tr /Tf	6/16ms (TYP.)
	Display Color	16.7M
	Viewing Angle L/R	Left 80° / Right 80°
Viewing Angle U/D	Up 80° / Down 80°	
Video(Camera) System	Chip Brand	SONY
	Effective pixel	NTSC: 510(H) x 492(V) / PAL: 500(H) x 585(V)
	Resolution	> 330 TV line
	Minimum illumination	0.4 Lux
	S/N Ratio (AGC off)	> 48 db
	Gain control	Auto
	White balance	Auto (2500°K~9500°K)
	Exposure control	Auto exposure (1/60 (1/50) ~1/10000sec)
	Video output	1.0 Vp-p composite @ 75W Mono output
	Lens type	3.6mm / F2.0 board lens or vari focal lens
	Video Input	EXT. Video In
Audio System	Built-in Speaker	Input Level:100mvp-p, Max Power 0.75W, Mono output
	Audio Line-in	RCA
	Audio Line-out	RCA
User Interface	UI Key on panel	Power, Camera/Video 1/DM, Menu, Volume+-, Rec, ▲▲▼▼
	Type of UI	OSD ▲▲▼▼
Codec	Encode (Compression)	MPEG 4
	Type of Decode	JPEG, MPEG
DM	O.S.D. (Text)	Edit from PC
	Video	Real Time Record from Line-in
	Audio	Real Time Record from Audio-in
Sensor	IR remote	1 Set
	P.I.R	1 Set
	Light Sensor	1 Set
	Trigger in	2 Sets
	Trigger out	2 Sets
Power	Power Spec.	AC 110 ~240 V, 50/60Hz
	Power Consumption	60W max. (normal)/20W max. (power saving mode)
PC O.S	System	WIN98,SE,ME,2000,XP
	Dimension (WxHxD)	506 x 499 x 107mm
etc	Weight	N.W. 11 kgs

Features:

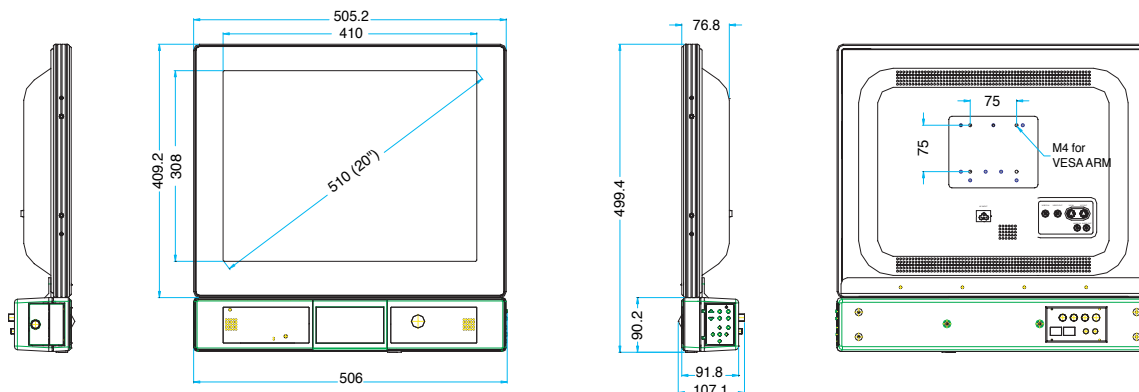
- Ergonomics styling
- Easy to install
- Easy to operate
- Energy saving
- Space saving
- Multifunctional features



Optional Accessory:

- 4 directions of ceiling mount
- Meets VESA standards
- Cannular pole is used to insert cable

Specification subject to change without notice.



Unit:mm