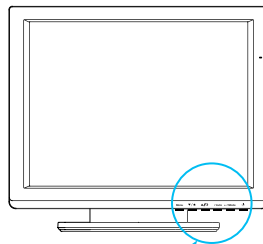


# Professional CCTV 15" LCD Display



- Crisp picture performance
- High resolution, high contrast ratio
- Stylish and portable design
- NTSC/PAL auto mode
- Universal power supply (VESA DPMS compatible)
- Multiple mechanical design for various installation
- User friendly one level operation in OSD
- 7 language OSD control



Function Panel



**Stand Base (-5°~40°)**  
Standard Plate With Patent  
Tilt Adjustment -5°~40° is  
Designed for Different  
Viewing Angles of  
Various Applications.

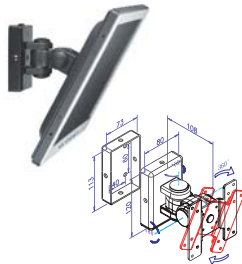
MODEL	LPL-15W01	
Pixel pitch	0.297 (H) x 0.297 (V).	
Max. Resolution	VGA	1024 x 768 pixel.
	VIDEO	500 TVL.
Dimension	364.0 (W) x 316.0 (H) x 170.0 (D).	
Packing Dimension	491.0 (W) x 422.0 (H) x 242.0 (D).	
Display Mode	VGA, Composite, S-VIDEO.	
Signal Connector	VGA In, BNC In / Out, Y/C In / Out, Audio In/Out.	
Front Control Panel Buttons	Power on / off / Mode / Auto, Up ( Contrast Adjust ), Down ( Brightness Adjust ), Menu.	
OSD Menu	VGA	Brightness, Contrast, H-Position, V-Position, Clock, Phase, Color Temp, User Color R, User Color G, User Color B, OSD H-Pos, OSD V-Pos, Volume, Language, Recall.
	VIDEO	Color, Tint ( NTSC only ), Brightness, Contrast, Sharpness, Volume, Language, Color Temp, Recall.
Power Input	DC Input: 12V / 4.16A, 50 / 60Hz.	
Operating Condition	Temperature: 0°C~ 40°C, Humidity : 10% ~ 85%.	
Storage Condition	Temperature: -20°C~ 60°C, Humidity : 10% ~ 85%.	
Power Consumption	30W (Max.).	
Weight	N.W.: 4.0kgs, G.W.: 6.0kgs.	

- 1. Power Switch :** Press to switch monitor on/off.
- 2. LED Indicator :** Power indicator.
- 3. + / Mode :**
  - Press to select next input signal.
  - Press to increase the value of OSD option selected.
- 4. - / Auto :**
  - VGA signal auto adjustment.
  - Press to decrease the value of OSD option selected.
- 5. : ▲/●**
  - Select OSD options upwards.
  - Press " + " or " - " button to adjust contrast value.
- 6. : ▼/★**
  - Select OSD options downwards.
  - Press " + " or " - " button to adjust brightness value.
- 7. OSD Menu :** recall or close OSD display, enter or return selection.

### Optional Accessories

**DW-170** (Three knuckles for adjusting)

**DW-171** (Two knuckles for adjusting)

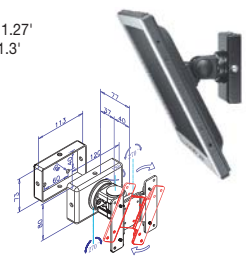


#### Packing

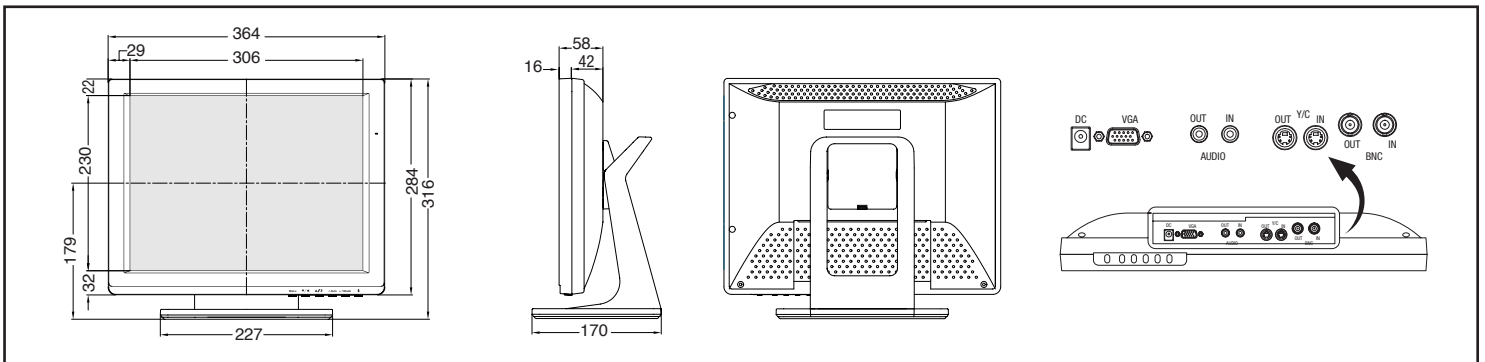
**DW-170:** 1pc/box, 8pcs/carton G.W.: 14.7kgs, 1.27'  
**DW-171:** 1pc/box, 12pcs/carton G.W.: 17kgs, 1.3'

#### Wall mount Bracket

- Firmly fix on solid wall
- Meets VESA standards Mounting spec. provided is 75mm X 75mm
- Adjusting: 1. Swivel left & right total 180°  
2. LCD monitor swivel 270°  
3. Pivot upwards & downwards
- Holds LCD Monitor up to 12 Kgs



Specification is subject to change without notice.



2005.08