

40MHz MULTI-FUNCTION OSCILLOSCOPE USER'S MANUAL

FS-404 WITH 5MHz FUNCTION GENERATOR
CS-406 WITH 50MHz AUTO COUNTER
FS-409 WITH 5MHz FUNCTION GENERATOR
AND 50MHz AUTO COUNTER



TEST INSTRUMENT SAFETY

WARNING

Normal use of test equipment exposes you to a certain amount of danger from electrical shock because testing must often be performed where exposed high voltage is present. An electrical shock causing 10 milliamps of current to pass through the heart will stop most human heartbeats. Voltage as low as 35 volts dc or ac rms should be considered dangerous and hazardous since it can produce a lethal current under certain conditions. Higher voltage poses an even greater threat because such voltage can more easily produce a lethal current. Your normal work habits should include all accepted practices that will prevent contact with exposed high voltage, and that will steer current away from your heart in case of accidental contact with a high voltage. You will significantly reduce the risk factor if you know and observe the following safety precautions.

1. Don't expose high voltage needlessly in the equipment under test. Remove housings and covers only when necessary. Turn off equipment while making test connections in high-voltage circuits. Discharge high-voltage capacitors after removing power.
2. If possible, familiarize yourself with the equipment being tested and the location of its high voltage points. However, remember that high voltage may appear at unexpected points in defective equipment.
3. Use an insulated floor material or a large, insulated floor mat to stand on, and an insulated work surface on which to place equipment; make certain such surfaces are not damp or wet.
4. Use the time-proven "one hand in the pocket" technique while handling an instrument probe. Be particularly careful to avoid contacting a nearby metal object that could provide a good ground return path.
5. When using a probe, touch only the insulated portion. Never touch the exposed tip portion.
6. When testing ac powered equipment, remember that ac line voltage is usually present on some power input circuits such as the on-off switch, fuses, power transformer, etc. any time the equipment is connected to an ac outlet, even if the equipment is turned off.
7. Some equipment with a two-wire ac power cord, including some with polarized power plugs, is the "hot chassis" type. This includes most recent television receivers and audio equipment. A plastic or wooden cabinet insulates the chassis to protect the customer. When the cabinet is removed for servicing, a serious shock hazard exists if the chassis is touched. Not only does this present a dangerous shock hazard, but damage to test instruments or the equipment under test may result from connecting the ground lead of most test instruments (including this oscilloscope) to a "hot chassis". To make measurements in "hot chassis" equipment, always connect an isolation transformer between the ac outlet and the equipment under test. To be on the safe side, treat all two wire ac powered equipment as "hot chassis" unless you are sure it has an isolated chassis or an earth ground chassis.
8. Never work alone. Someone should be nearby to render aid if necessary. Training in CPR (cardio-pulmonary resuscitation) first aid is highly recommended.

TABLE OF CONTENTS

TEST INSTRUMENT SAFETY	1
TABLE OF CONTENTS	2
NOTICE BEFORE OPERATION	3
INTRODUCTION	5
FS-404 SPECIFICATIONS	6
CS-406 SPECIFICATIONS	9
FS-409 SPECIFICATIONS	12
FS-404 CONTROLS AND INDICATORS	15
CS-406 CONTROLS AND INDICATORS	20
FS-409 CONTROLS AND INDICATORS	25
OPERATING INSTRUCTIONS	30
MAINTENANCE	35
APPENDIX	37

NOTICE BEFORE OPERATION

1. Unpack the instrument :

After receipt of the instrument, immediately unpack and inspect it for any shipping damage or missing accessories. If any sign of damage or missing accessories are found, immediately notify the dealer.

2. Environmental :

These instruments are designed for "Indoor Use" only. Normally, operational temperature of these instruments is 10°C to 40°C (50°F to 104°F). Operation outside of this temperature range may cause damage to the circuits.

Do not use these instruments in a place where strong magnetic or electric fields exist. Such fields may adversely effect your measurements.

3. Check the Line Voltage :

These instruments can operate on any one of the line voltages shown in the below table by inserting the line voltage selector plug in the corresponding position on the rear panel.

Before connection the power plug to an AC line outlet, be sure to check that the voltage selector plug is set in the position corresponding to the desired line voltage.

!!! CAUTION : The instrument may not operate properly or may be damaged if it is connected to a wrong AC line voltage. Whenever line voltages are changed, fuses must also be replaced.

SELECTOR	LINE VOLTAGE	FUSE
115V	100~125V 50/60Hz	1A
230V	220~240V 50/60Hz	0.8A

● Suggestions for successful instrument operation :

1. Never place heavy objects on the instrument.
2. Never place a hot soldering iron on or near the instrument.
3. Never insert wires, pins, or other metal objects into the ventilation fan.
4. Never move or pull the instrument with the power cord or a probe cord. Never move instrument when the power cord or a signal probe is connected to a circuit.
5. If the instrument is used in a manner not specified by the manufacturer then protection mechanisms built into the instrument may not function properly.

!!! WARNING : The following precautions must be observed to help prevent electric shock :

1. When the instrument is used to make measurements where high voltages are present, there is always a certain amount of danger from electrical shock. The person using the instrument in such condition should be a qualified electronics technician or otherwise trained and qualified to work in such circumstances.
2. Do not operate the instrument with the cover removed unless you are a qualified service technician.
3. The ground wire of the 3-wire AC power plug places the chassis and housing of the instrument at earth ground. Use only a 3-wire outlet, and do not attempt to defeat the ground wire connection or float the instrument, since doing so may pose a great safety hazard.

4. Do not obstruct the ventilation holes in the rear panel, as this will increase the internal temperature.
5. Never apply external voltage to the output BNC of the instrument.
6. Excessive voltage applied to the input BNC may damage the instrument.

II. MAINTANCE

GENERAL MAINTANCE

Preventive Maintance -Clean and recalibrate the INSTRUMENT on a regular basis to keep the instrument looking nice and working well.

Cleaning -Remove any dirt, dust and grime whenever they become noticable. You can remove dirt from the outside covers with a soft cloth moistened with a mild cleaning solution.

Servicing -If the instrument ever becomes inoperative or damaged, refer servicing to a qualified repair facility.

FUSE REPLACEMENT

If the fuse blows, the "ON" indicator will not light and the instrument will not operate. Replace only with the correct value fuse. For 110/125V line vlotage operation, use an 1.0 A,-250V fuse. For 220/240V line voltage operation, use a 800mA, 250V fuse. The fuse is located on the rear panel adjacent to the power cord receptacle.

Remove the fuseholder assembly as follows:

1. Unplug the power cord from rear of scope.
2. Insert a small screwdriver in fuseholder selt (located between fuseholder and receptacle). Pry fuseholder away from receptacle.
3. When reinstallmg fuseholder, be sure that the fuse is installed so that the correct line voltage is selected (see LINE VOLTAGE SELECTION).

INTRODUCTION

The model FS-.CS- series oscilloscope is a dual channel, multiple testing application equipment. It built-in at least 2 testing equipment in one.

The oscilloscope is a laboratory-grade instrument that is ideal for the wide range of measurements typically found in electronics, development and scientific research laboratories, some of its outstanding features are :

FS-404 — a 40MHz analoge oscilloscope built-in a 50MHz, 5 digits, Auto-Range, Auto Gatetime Countor and the wave form on the CRT at the meanwhile when the input signal is triggering, Or the bulit in countor can be independent operated by input the signal form the EXT TRIG input BNC.

FS-409 — a 40MHz analoge oscilloscope built-in a 5MHz, Function Generator and a 50MHz, Auto-Range, Auto Gatetime Countor, In the other word, FS-409 contain FS-406 and CS-404 in one. Its Function Generator and countor can be operated independently Or jointly, For example, the disply of the countor can be the signal of the out put of the Function Generator or in signal which been triggering by the oscilloscope and diplay the wave form on the CRT.

FS-404 SPECIFICATIONS

CRT

Type : 6-inch rectangular with integral graticule,
P31 phosphor.

Display Area : 8 x 10 div (i div = 1 cm).

Accelerating Voltage : 2 kV.

Phosphor : P31.

Trace Rotation : Electrical, front panel adjustable.

VERTICAL AMPLIFIERS (CH 1 and CH 2)

Sensitivity : 5 mV/div to 5 V/div, 1 mv/div to 1 V/div
at X5 MAG.

Attenuator : 10 calibrated steps in 1-2-5 sequence.
Variable control provides fully adjustable
sensitivity between steps; range 1/1 to at
least 1/3.

Accuracy : $\pm 3\%$, 5 mV to 5 V/div; 5%, at X5 MAG.

Input Resistance : $1\text{ M}\Omega \pm 2\%$.

Input Capacitance : $25\text{ pF} \pm 10\text{ pF}$

Frequency Response :

5 mV/div to 5 V/div:

DC to 40 MHz (-3 dB).

X5 MAG :

DC to 10 MHz (-3 dB).

Rise Time :

8.8 nS; 35 nS at X5 MAG.

Overshoot : Less than 5%.

Operating Modes :

CH 1 : CH 1, single trace.

CH 2 : CH 2, single trace.

DUAL : CH 1 and CH 2, dual trace.

Alternate or Chop selectable at
any sweep rate.

ADD : Algebraic sum of CH 1+ CH 2.

Chop Frequency : Approximately 500KHz.

Polarity Reversal : CH 2 invert.

Maximum Input Voltage : 400 V (dc + ac peak).

HORIZONTAL AMPLIFIER

(Input through channel 1 input)

X-Y mode :

CH 1=X axis.

CH 2 = Y axis.

Sensitivity : Same as vertical channel 2.

Input Impedance : Same as vertical channel 2.

Frequency Response:

DC to 1 MHz(-3 dB).

X-Y Phase Difference : 3° or less at 50 kHz.

Maximum Input Voltage : Same as vertical channel 1.

SWEEP SYSTEM

Operating Modes :

Main Time Base, X-Y Operating.

Main Time Base : 0.1 μ S/div to 2.0 S/div in 1 -2-5
sequence, 23 steps. Variable control provides fully
adjustable sweep time between steps.

Accuracy : $\pm 3\%$, except $\pm 6\%$ on 0.2 S/div and $\pm 20\%$
on 0.1 μ S/div.

Sweep Magnification : X10 $\pm 10\%$.

Holdoff : Continuously adjustable for main time base f
NORM to 5 times normal.

TRIGGERING

Trigger Modes :

AUTO (free run), NORM, TV-V, TV-H.

Trigger Source :

CH 1, CH 2, Alternate, EXT, LINE.

Slope :

(+)or(-)

FS-404 SPECIFICATIONS

Trigger Coupling :

- AUTO : Sweep free-runs in absence of suitable trigger signal.
- NORM : Sweep triggered only by adequate trigger signal.
- TV-V : Video vertical sync pulses are selected. Also usable for high frequency reject.
- TV-H : Video horizontal sync pulses are selected. Also usable for low frequency reject.

Trigger Sensitivity :

- AUTO : 1.5 div (internal)
>0.5 Vp-p (external)
100 Hz -40 MHz
- NORM : 1.5 div (internal)
20.5 Vp-p (external)
100 Hz -40 MHz
- TV-V : 1.0 div (internal)
>0.5 Vp-p (external)
DC -1KHz
- TV-H : 1.0 div (internal)
>0.5 Vp-p (external)
1KHz-100 KHz

Maximum External Trigger Voltage :
300 V (dc + ac peak).

FUNCTION GENERATOR

GENERAL SPECIFICATIONS :

- Frequency : 0.5Hz ~ 5MHz in 6 steps,
controlled by one push switch.
- Output Waveform : Sine, Square, Triangle,
3 waveforms total.
- Stability : 0.1% - 15minutes after power-on.
0.2% - 24hrs after power-on.
- Limits of Operation : 0°C~40°C, 10~80%R.H.
- Storage Environment : -20°C~70°C, 0~90%R.H.

TRIANGLE WAVE :

- Frequency : 0.5Hz - 5MHz.
- Symmetry : 50% (rise wave) to 50% (fall wave),
< 2%, 1Hz ~ 100KHz.
- Linearity : < 1%, 1Hz ~ 100KHz.

SINE WAVE :

- Frequency : 0.5Hz ~ 5MHz.
- Distortion : < 2%, 1Hz ~ 100KHz.
- Harmonic Ratio : < 30dB, 100KHz ~ 5MHz.
- Frequency Response : < 0.1dB up to 100KHz.
< 1dB 100KHz to 5MHz.

SQUARE WAVE :

- Frequency : 0.5Hz ~ 5MHz.
- Symmetry : 50% (positive half) to 50%
(negative half), < 2%,
1Hz ~ 100KHz.
- Rise Time : < 60ns.

MAIN OUTPUT :

- Output Impedance : 50 Ω , < 2% Accuracy.
- Max. Output : 20 Vp-p (No load), $\pm 1V?$
10 Vp-p (50 Ω load), $\pm 0.5V?$
- Min. Output : 0.1Vp-p (No load) and 0.05V
(50 Ω load)
- Attenuator : one -20dB switch, < 2% Accuracy.

SYNCHRONOUS OUTPUT :

- Output Impedance : 50 Ω , < 2% Accuracy.
- Output Level : TTL level, > 3Vp-p fixed amplitude.
- Fanout : > 20.
- Rise Time : < 60ns(no load).

OTHER SPECIFICATIONS

Cal/Probe Compensation Voltage : 2 V p-p +3% square wave, 1KHz nominal.

CH 2 (Y) Output : 50 mV/div (nominal into 50 ohm load).

Output Impedance : Approximately 50 ohms.

Frequency Response : 20 Hz to 30 MHz, -3 dB.

Power Requirement : 10~130 VAC or 200-260 VAC, 50/60 Hz, 50 watts.

Dimensions (H x W x D) :

5.2" x 12.8" x 15.7"

(132 x 324 x 398 mm).

Weight : 18.7 lbs (8.5 kg).

Environment :

Within Specified Accuracy : +10} to +35} C, 10-80%

Full Operation : 0} to +50} C, 10-80% relative humidity.

Storage : -30} to +70} C, 10-90% relative humidity.

ACCESSORIES SUPPLIED :

Two Switchable X1/X10 Probes.

Instruction Manual.

AC Line Cord.

One cable (BNC to BNC).

CS-406 SPECIFICATIONS

CRT

Type : 6-inch rectangular with integral graticule,
P31 phosphor.

Display Area : 8 x 10 div (i div = 1 cm).

Accelerating Voltage : 2 kV.

Phosphor : P31.

Trace Rotation : Electrical, front panel adjustable.

VERTICAL AMPLIFIERS (CH 1 and CH 2)

Sensitivity : 5 mV/div to 5 V/div, 1 mv/div to 1 V/div
at X5 MAG.

Attenuator : 10 calibrated steps in 1-2-5 sequence.
Variable control provides fully adjustable
sensitivity between steps; range 1/1 to at
least 1/3.

Accuracy : $\pm 3\%$, 5 mV to 5 V/div; 5%, at X5 MAG.

Input Resistance : $1 \text{ M}\Omega \pm 2\%$.

Input Capacitance : $25 \text{ pF} \pm 10 \text{ pF}$

Frequency Response :

5 mV/div to 5 V/div:

DC to 40 MHz (-3 dB).

X5 MAG :

DC to 10 MHz (-3 dB).

Rise Time :

8.8 nS; 35 nS at X5 MAG.

Overshoot : Less than 5%.

Operating Modes :

CH 1 : CH 1, single trace.

CH 2 : CH 2, single trace.

DUAL : CH 1 and CH 2, dual trace.

Alternate or Chop selectable at
any sweep rate.

ADD : Algebraic sum of CH 1+ CH 2.

Chop Frequency : Approximately 500KHz.

Polarity Reversal : CH 2 invert.

Maximum Input Voltage : 400 V (dc + ac peak).

HORIZONTAL AMPLIFIER

(Input through channel 1 input)

X-Y mode :

CH 1=X axis.

CH 2 = Y axis.

Sensitivity : Same as vertical channel 2.

Input Impedance : Same as vertical channel 2.

Frequency Response:

DC to 1 MHz(-3 dB).

X-Y Phase Difference : 3° or less at 50 kHz.

Maximum Input Voltage : Same as vertical channel 1.

SWEEP SYSTEM

Operating Modes :

Main Time Base, X-Y Operating.

Main Time Base : 0.1 $\mu\text{S}/\text{div}$ to 2.0 S/div in 1 -2-5
sequence, 23 steps. Variable control provides fully
adjustable sweep time between steps.

Accuracy : $\pm 3\%$, except $\pm 6\%$ on 0.2 S/div and $\pm 20\%$
on 0.1 $\mu\text{S}/\text{div}$.

Sweep Magnification : X10 $\pm 10\%$.

Holdoff : Continuously adjustable for main time base f
NORM to 5 times normal.

TRIGGERING

Trigger Modes :

AUTO (free run), NORM, TV-V, TV-H.

Trigger Source :

CH 1, CH 2, Alternate, EXT, LINE.

Slope :

(+)or(-)

CS-406 SPECIFICATIONS

Trigger Coupling :

- AUTO : Sweep free-runs in absence of suitable trigger signal.
- NORM : Sweep triggered only by adequate trigger signal.
- TV-V : Video vertical sync pulses are selected. Also usable for high frequency reject.
- TV-H : Video horizontal sync pulses are selected. Also usable for low frequency reject.

Trigger Sensitivity :

- AUTO : 1.5 div (internal)
>0.5 Vp-p (external)
100 Hz -40 MHz
- NORM : 1.5 div (internal)
20.5 Vp-p (external)
100 Hz -40 MHz
- TV-V : 1.0 div (internal)
>0.5 Vp-p (external)
DC -1KHz
- TV-H : 1.0 div (internal)
>0.5 Vp-p (external)
1KHz-100 KHz

Maximum External Trigger Voltage :

300 V (dc + ac peak).

FREQUENCY COUNTER

DISPLAY :

5digits, 0.36" Red LED, Display at "Hz" or "KHz" unit, Auto range.

GATE TIME :

Auto Select : form 10S to 0.25S According to the frequency of the input signal Auto select.

Auto Detect : The gate time LED will "FLASH" when with input and will "OFF" without input signal, Auto Detect,

Auto re-set : The data will hold 10S Max. after the input signal is stop and then Auto re-set,

RESOLUTION : 0.001Hz to 1KHz according to the frequency of the input signal. Auto Select.

MAX.COUNTER RANGE : 0.1Hz to 50MHz

ACCURACY : + 0.01% + 1digit or 1/99999 +1digit

TIME BASE : 18.432MHz + 10ppm(23}C ± 5}C)

SENSITIVITY :

NOTE : 1.The counter must be set at "DC COUPLING" operation when the input signal is less than 10Hz.
2.The counter are operated by the "Triggle Sourace" CH1, CH2 or EXT. But can not by "ALT" source.

MODE	RANGE	SENSITIVITY
INT	2Hz~40MHz	<input type="checkbox"/> 1DIV
	1Hz~45MHz	<input type="checkbox"/> 2DIV
	0.2Hz~50MHz	<input type="checkbox"/> 3DIV
EXT	10Hz~50MHz	<input type="checkbox"/> 200mVrms
	1Hz~50MHz	<input type="checkbox"/> 400mVrms

OTHER SPECIFICATIONS

Cal/Probe Compensation Voltage : 2 V p-p +3% square wave, 1KHz nominal.

CH 2 (Y) Output : 50 mV/div (nominal into 50 ohm load).

Output Impedance : Approximately 50 ohms.

Frequency Response : 20 Hz to 30 MHz, -3 dB.

Power Requirement : 10~130 VAC or 200-260 VAC, 50/60 Hz, 50 watts.

Dimensions (H x W x D) :

5.2" x 12.8" x 15.7"

(132 x 324 x 398 mm).

Weight : 18.7 lbs (8.5 kg).

Environment :

Within Specified Accuracy : +10} to +35} C, 10-80%

Full Operation : 0} to +50} C, 10-80% relative humidity.

Storage : -30} to +70} C, 10-90% relative humidity.

ACCESSORIES SUPPLIED :

Two Switchable X1/X10 Probes.

Instruction Manual.

AC Line Cord.

FS-409 SPECIFICATIONS

CRT

Type : 6-inch rectangular with integral graticule,
P31 phosphor.

Display Area : 8 x 10 div (i div = 1 cm).

Accelerating Voltage : 2 kV.

Phosphor : P31.

Trace Rotation : Electrical, front panel adjustable.

VERTICAL AMPLIFIERS (CH 1 and CH 2)

Sensitivity : 5 mV/div to 5 V/div, 1 mv/div to 1 V/div
at X5 MAG.

Attenuator : 10 calibrated steps in 1-2-5 sequence.
Variable control provides fully adjustable
sensitivity between steps; range 1/1 to at
least 1/3.

Accuracy : $\pm 3\%$, 5 mV to 5 V/div; 5%, at X5 MAG.

Input Resistance : $1 \text{ M}\Omega \pm 2\%$.

Input Capacitance : $25 \text{ pF} \pm 10 \text{ pF}$

Frequency Response :

5 mV/div to 5 V/div:

DC to 40 MHz (-3 dB).

X5 MAG :

DC to 10 MHz (-3 dB).

Rise Time :

8.8 nS; 35 nS at X5 MAG.

Overshoot : Less than 5%.

Operating Modes :

CH 1 : CH 1, single trace.

CH 2 : CH 2, single trace.

DUAL : CH 1 and CH 2, dual trace.

Alternate or Chop selectable at
any sweep rate.

ADD : Algebraic sum of CH 1+ CH 2.

Chop Frequency : Approximately 500KHz.

Polarity Reversal : CH 2 invert.

Maximum Input Voltage : 400 V (dc + ac peak).

HORIZONTAL AMPLIFIER

(Input through channel 1 input)

X-Y mode :

CH 1=X axis.

CH 2 = Y axis.

Sensitivity : Same as vertical channel 2.

Input Impedance : Same as vertical channel 2.

Frequency Response:

DC to 1 MHz(-3 dB).

X-Y Phase Difference : 3° or less at 50 kHz.

Maximum Input Voltage : Same as vertical channel 1.

SWEEP SYSTEM

Operating Modes :

Main Time Base, X-Y Operating.

Main Time Base : 0.1 $\mu\text{S}/\text{div}$ to 2.0 S/div in 1 -2-5
sequence, 23 steps. Variable control provides fully
adjustable sweep time between steps.

Accuracy : $\pm 3\%$, except $\pm 6\%$ on 0.2 S/div and $\pm 20\%$
on 0.1 $\mu\text{S}/\text{div}$.

Sweep Magnification : X10 $\pm 10\%$.

Holdoff : Continuously adjustable for main time base f
NORM to 5 times normal.

TRIGGERING

Trigger Modes :

AUTO (free run), NORM, TV-V, TV-H.

Trigger Source :

CH 1, CH 2, Alternate, EXT, LINE.

Slope :

(+)or(-)

Trigger Coupling :

- AUTO : Sweep free-runs in absence of suitable trigger signal.
- NORM : Sweep triggered only by adequate trigger signal.
- TV-V : Video vertical sync pulses are selected. Also usable for high frequency reject.
- TV-H : Video horizontal sync pulses are selected. Also usable for low frequency reject.

Trigger Sensitivity :

- AUTO : 1.5 div (internal)
>0.5 Vp-p (external)
100 Hz -40 MHz
- NORM : 1.5 div (internal)
20.5 Vp-p (external)
100 Hz -40 MHz
- TV-V : 1.0 div (internal)
>0.5 Vp-p (external)
DC -1KHz
- TV-H : 1.0 div (internal)
>0.5 Vp-p (external)
1KHz-100 KHz

Maximum External Trigger Voltage :
300 V (dc + ac peak).

FUNCTION GENERATOR

GENERAL SPECIFICATIONS :

- Frequency : 0.5Hz ~ 5MHz in 6 steps,
controlled by one push switch.
- Output Waveform : Sine, Square, Triangle,
3 waveforms total.
- Stability : 0.1% - 15minutes after power-on.
0.2% - 24hrs after power-on.
- Limits of Operation : 0°C~40°C,10~80%R.H.
- Storage Environment : -20°C~70°C,0~90%R.H.

TRIANGLE WAVE :

- Frequency : 0.5Hz - 5MHz.
- Symmetry : 50% (rise wave) to 50% (fall wave),
< 2%, 1Hz ~ 100KHz.
- Linearity : < 1%, 1Hz ~ 100KHz.

SINE WAVE :

- Frequency : 0.5Hz ~ 5MHz.
- Distortion : < 2%, 1Hz ~ 100KHz.
- Harmonic Ratio : < 30dB, 100KHz ~ 5MHz.
- Frequency Response : < 0.1dB up to 100KHz.
< 1dB 100KHz to 5MHz.

SQUARE WAVE :

- Frequency : 0.5Hz ~ 5MHz.
- Symmetry : 50% (positive half) to 50%
(negative half), < 2%,
1Hz ~ 100KHz.
- Rise Time : < 60ns.

MAIN OUTPUT :

- Output Impedance : 50 Ω , < 2% Accuracy.
- Max. Output : 20 Vp-p (No load), $\pm 1V?$
10 Vp-p (50 Ω load), $\pm 0.5V ?$
- Min. Output : 0.1Vp-p (No load) and 0.05V
(50 Ω load)
- Attenuator : one -20dB switch, < 2% Accuracy.

SYNCHRONOUS OUTPUT :

- Output Impedance : 50 Ω , < 2% Accuracy.
- Output Level : TTL level, > 3Vp-p fixed amplitude.
- Fanout : > 20.
- Rise Time : < 60ns(no load).

FREQUENCY COUNTER

DISPLAY :

- 5digits, 0.36" Red LED, Display at "Hz" or "KHz"
unit, Auto range.

GATE TIME :

- Auto Select** : form 10S to 0.25S According to the
frequency of the input signal Auto select.

FS-409 SPECIFICATIONS

Auto Detect : The gate time LED will "FLASH" when with input and will "OFF" without input signal, Auto Detect,

Auto re-set : The data will hold 10S Max. after the input signal is stop and then Auto re-set,

RESOLUTION : 0.001Hz to 1KHz according to the frequency of the input signal. Auto Select.

MAX.COUNTER RANGE : 0.1Hz to 50MHz

ACCURACY : + 0.01% + 1digit or 1/99999 +1digit

TIME BASE : 18.432MHz + 10ppm(23}C ± 5}C)

SENSITIVITY :

NOTE : 1.The counter must be set at "DC COUPLING" operation when the input signal is less than 10Hz.

2.The counter are operated by the "Triggle Sourace" CH1, CH2 or EXT. But can not by "ALT" source.

MODE	RANGE	SENSITIVITY
INT	2Hz~40MHz	<input type="checkbox"/> 1DIV
	1Hz~45MHz	<input type="checkbox"/> 2DIV
	0.2Hz~50MHz	<input type="checkbox"/> 3DIV
EXT	10Hz~50MHz	<input type="checkbox"/> 200mVrms
	1Hz~50MHz	<input type="checkbox"/> 400mVrms

OTHER SPECIFICATIONS

Cal/Probe Compensation Voltage : 2 V p-p +3% square wave, 1KHz nominal.

CH 2 (Y) Output : 50 mV/div (nominal into 50 ohm load).

Output Impedance : Approximately 50 ohms.

Frequency Response : 20 Hz to 30 MHz, -3 dB.

Power Requirement : 10~130 VAC or 200-260 VAC, 50/60 Hz, 50 watts.

Dimensions (H x W x D) :

5.2" x 12.8" x 15.7"

(132 x 324 x 398 mm).

Weight : 18.7 lbs (8.5 kg).

Environment :

Within Specified Accuracy : +10" to +350 C, 10-80%

Full Operation : 0" to +50" C, 10-80% relative humidity.

Storage : -30" to +70" C, 10-90% relative humidity.

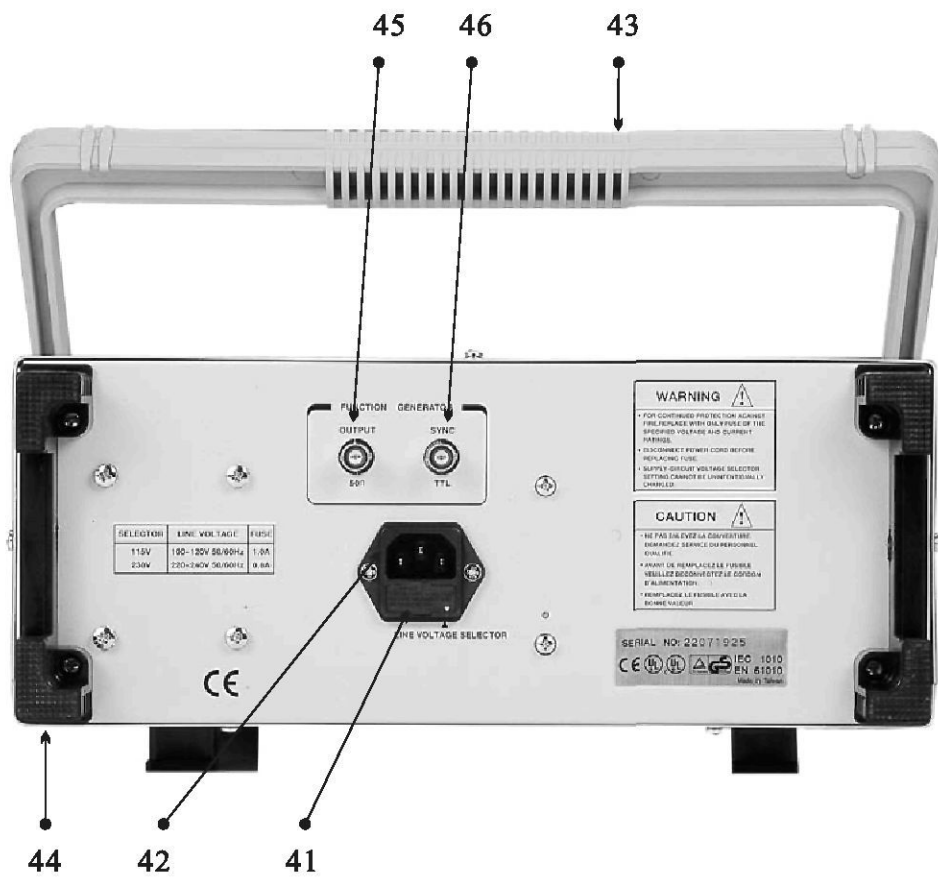
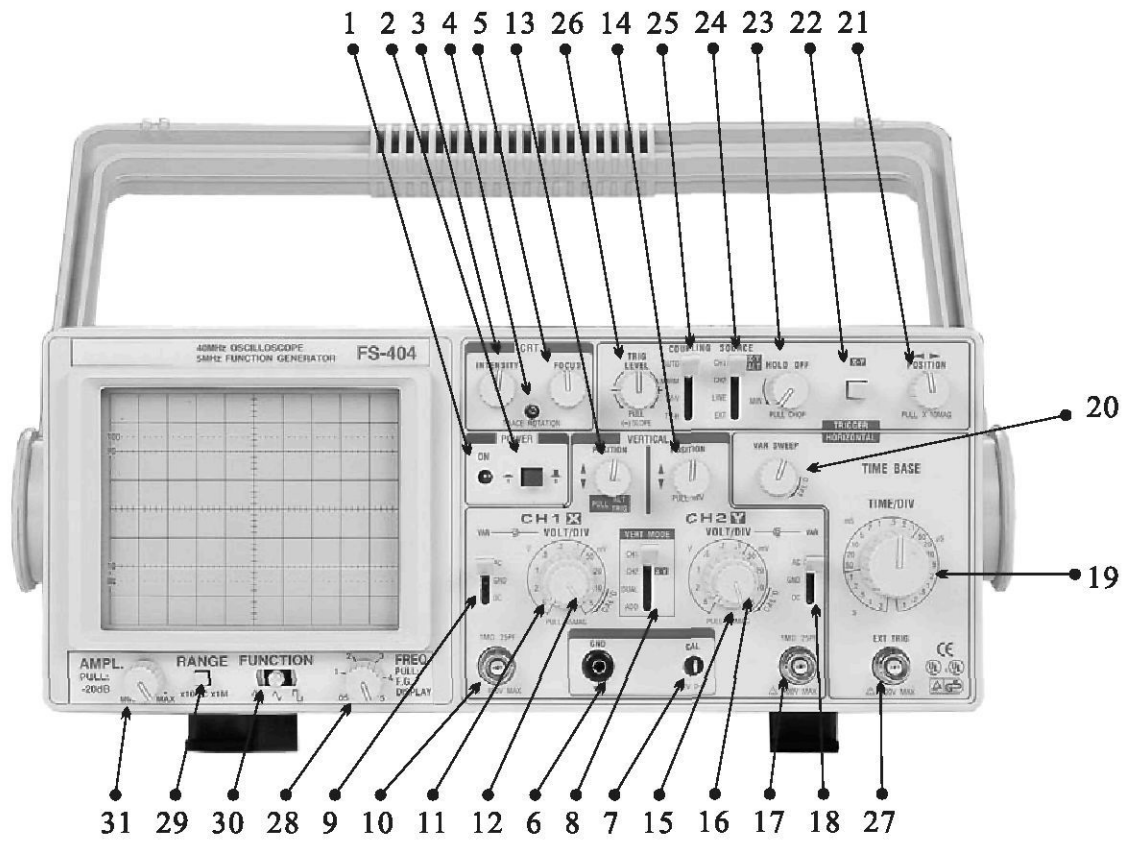
ACCESSORIES SUPPLIED :

Two Switchable X1/X10 Probes.

Instruction Manual.

AC Line Cord.

FS-404 CONTROLS AND INDICATORS



FS-404 CONTROLS AND INDICATORS

GENERAL FUNCTION CONTROLS

- 1. ON Indicator.** Lights when oscilloscope is "on".
- 2. POWER Pushbutton.** Turns: oscilloscope "on" and "off".
- 3. INTENSITY Control.** Adjusts brightness of trace.
- 4. TRACE ROTATION Control.** Adjusts to maintain trace at a horizontal position.
- 5. FOCUS Control.** Adjusts trace focus.
- 6. GND \equiv Terminal.** Oscilloscope chassis ground jack, and earth ground via three-wire ac power cord.
- 7. CAL Terminal.** Terminal provides 2Vp-p, 1kHz (nominal) square wave signal. This signal is useful for checking probe compensation adjustment, as well as providing a rough check of vertical calibration.

VERTICAL CONTROLS

- 8. VERTICAL MODE Switch.** Selects vertical display mode. Four-position lever switch with the following positions :

CH1:

Displays the channel 1 signal by itself.

CH2/X-Y:

CH2: displays the channel 2 signal by itself.

X-Y: used in conjunction with the X-Y control and **Trigger SOURCE** switch to enable X-Y display mode.

DUAL

Displays the channel 1 and channel 2 signals simultaneously. Dual-trace mode may be either alternate or chopped sweep: see the description under **HOLD OFF/PULL CHOP** control.

ADD:

The inputs from channel 1 and channel 2 are summed and displayed as a single signal. If the Channel 2 **POSITION/PULL INVERT** control is pulled out, the input from channel 2 is subtracted from channel 1 and the difference is displayed as a single signal.

- 9. CH1 AC-GND-DC Switch.** Three-position lever switch with the following positions:

AC:

Channel 1 input signal is capacitively coupled; DC component is blocked.

GND:

Opens signal path and grounds input to vertical amplifier. This provides a zero-volt base line, the position of which can be used as a reference when performing dc measurements.

DC:

Direct coupling of channel 1 input signal; both AC and DC components of signal produce vertical deflection.

- 10. CH1 (X) Input Jack.** Vertical input for channel 1. X-axis input for X-Y operation.
- 11. CH1 (X) VOLTS/DIV Control.** Vertical attenuator for channel 1. Provides step adjustment of vertical sensitivity. When channel 1 **VARIABLE** control is set to (**CAL**), vertical sensitivity is calibrated in 10 steps from 5 mV/div to 5 V/div in a 1-2-5 sequence. When the X-Y mode of operation is selected, this control provides step adjustment of X-axis sensitivity.

12. CH1 VARIABLE/PULL X5 MAG Control:

VARIABLE:

Rotation provides vernier adjustment of channel 1 vertical sensitivity. In the fully-clockwise (**CAL**) position, the vertical attenuator is calibrated. Counterclockwise rotation decreases gain sensitivity. In X-Y operation, this control becomes the vernier X-axis sensitivity control.

PULL X5 MAG:

When pulled out, increases vertical sensitivity by a factor of five. Effectively provides two extra sensitivity settings: 2 mV/div and 1 mV/div. In X-Y mode, increases X-sensitivity by a factor of five.

13. CH1 POSITION/PULL ALT TRIGGER Control:

POSITION:

Adjusts vertical position of channel 1 trace.

PULL ALT:

Used in conjunction with the **Trigger SOURCE** switch to activate alternate triggering. See the description under the **Trigger SOURCE** switch.

14. CH2 POSITION/PULL INVERT Control:

POSITION:

Adjusts vertical position of channel 2 trace. In X-Y operation, rotation adjusts vertical position of X-Y display.

FS-404 CONTROLS AND INDICATORS

PULL INVert:

When pushed in, the polarity of the channel 2 signal is normal. When pulled out, the polarity of the channel 2 signal is reversed, thus inverting the waveform.

- 15. CH2 VOLTS/DIV Control.** Vertical attenuator for channel 2. Provides step adjustment of vertical sensitivity. When channel 2 **VARIABLE** control is set to CAL, vertical sensitivity is calibrated in 10 steps from 5 mV/div to 5 V/div in a 1-2-5 sequence. When the X-Y mode of operation is selected, this control provides step adjustment of Y-axis sensitivity.

16. CH2 VARIABLE/PULL X5 MAG Control: VARIABLE:

Rotation provides vernier adjustment of channel 2 vertical sensitivity. In the fully-clockwise (CAL) position, the vertical attenuator is calibrated. Counterclockwise rotation decreases gain sensitivity. In X-Y operation, the vernier this control becomes Y-axis sensitivity control.

PULL X5 MAG:

When pulled out, increases vertical sensitivity by a factor of five. Effectively provides two extra sensitivity settings: 2 mV/div and 1 mV/div. In X-Y mode, increases Y-sensitivity by a factor of five.

- 17. CH2 (Y) Input Jack.** Vertical input for channel 2. Y-axis input for X-Y operation.
- 18. CH2 AC-GND-DC Switch.** Three-position lever switch with the following positions:

AC:

Channel 2 input signal is capacitively coupled; DC component is blocked.

GND:

Opens signal path and grounds input to vertical amplifier. This provides a zero-volt base line, the position of which can be used as a reference when performing dc measurements.

DC:

Direct coupling of channel 2 input signal; both ac and dc components of signal produce vertical deflection.

HORIZONTAL CONTROLS

19. Main Time Base TIME/DIV Control.

Provides step selection of sweep rate for the main time base. When the **VARIABLE** Sweep control is set to (CAL), sweep rate is calibrated. This control has 23 steps from 0.1 mS/div to 2 S/div, in a 1-2-5 sequence.

- 20. VARIABLE Sweep Control.** Rotation of control is vernier adjustment for sweep rate. In fully clockwise (CAL) position, sweep rate is calibrated.

21. POSITION/PULL X10 MAG Control.

POSITION:

Horizontal (X) position control.

PULL X10 MAG:

Selects ten times sweep magnification when pulled out, normal when pushed in. Increases maximum sweep rate to 10 nS/div.

- 22. X-Y Switch.** Used with the **VERTICAL MODE** switch and **Trigger SOURCE** switch to select X-Y operating mode. The channel 1 input becomes the X-axis and the channel 2 input becomes the Y-axis. Trigger source and coupling are disabled in this mode.

TRIGGERING CONTROLS

23. HOLDOFF/PULL CHOP Control.

HOLDOFF:

Rotation adjusts holdoff time (trigger inhibit period beyond sweep duration). When control is rotated fully counterclockwise, the holdoff period is **MIN**imum (normal). The holdoff period increases progressively with clockwise rotation.

PULL CHOP:

When this switch is pulled out in the dual-trace mode, the channel 1 and channel 2 sweeps are chopped and displayed simultaneously (normally used at slower sweep speeds). When it is pushed in, the two sweeps are alternately displayed, one after the other (normally used at higher sweep speeds).

24. Trigger SOURCE Switch. Selects source of sweep trigger. Four-position lever switch with the following positions:

CH1/X-Y/ALT:

CH1:

Causes the channel 1 input signal to become the sweep trigger, regardless of the **VERTICAL MODE** switch setting.

X-Y

Used with two other switches to enable the X-Y mode -see the Operating Instructions under "XY Operation".

ALT:

Used with the channel 1 **POSITION/PULL ALTERNATE TRIGGER** control to enable alternate triggering. Alternate triggering, used in dualtrace mode, permits each waveform viewed to become its own trigger source.

CH2:

The channel 2 signal becomes the sweep trigger, regardless of the **VERTICAL MODE** switch setting.

LINE:

Signal derived from input line voltage (50/60 Hz) becomes trigger.

EXT:

Signal from **EXTERNAL TRIGGER** jack becomes sweep trigger.

25. Trigger COUPLING Switch. Selects trigger coupling. Four-position lever switch with the following positions:

AUTO:

Selects automatic triggering mode. In this mode, the oscilloscope generates sweep (free runs) in absence of an adequate trigger; it automatically reverts to triggered sweep operation when an adequate trigger signal is present.

NORM:

Selects normal triggered sweep operation. A sweep is generated only when an adequate trigger signal is present.

TV-V:

Used for triggering from television vertical sync pulses. Also serves as lo-pass/DC (high frequency reject) trigger coupling.

TV-H:

Used for triggering from television horizontal sync pulses. Also serves as hi-pass (low frequency reject) trigger coupling.

used at slower sweep speeds). When it is pushed in, the two sweeps are alternately displayed, one after the other (normally used at higher sweep speeds).

26. TRIGGER LEVEL/PULL (-) SLOPE Control.

TRIGGER LEVEL:

Trigger level adjustment; determines the point on the triggering waveform where the sweep is triggered. Rotation in the (-) direction (counterclockwise) selects more negative triggering point; rotation in the (+) direction (clockwise) selects more positive triggering point.

PULL (—)SLOPE:

Two-position push-pull switch. The "in" position selects a positive-going slope and the "out" position selects a negative-going slope as triggering point for main sweep.

27. EXTERNAL TRIGGER jack. External trigger input for single-and dual-trace operation.

28. FREQ: Turn this knob to set the desired frequency Generated. This knob is for fine adjustment.

(NOTE: PULL: F.G. DISPLAY For FS-409 only)

29.RANGE: The main Frequency switch of the Function Generator Each step raise up the frequency 10 times from 50Hz to 5MHz and back to 50Hz circulatory. Also the range will be set at 50Hz automatically when switch on the Oscilloscope, the frequency can be observed from **(34) LED DISPLAY** or connect the (45) output signal to the (10) **INPUT** of the oscilloscope to display on CRT.

30.Function:the Function wave selector to set the wave from output of the Function Generator send to the output BNC (45).

31.AMPL/PULL:-20dB/Amplitude knob. Turn the knob to adjust the amplitude of the output signal to max 10 time continuously. Or pull out the switch to attenuate the output signal 20dB (Amplitude becomes 1/10 level) ?

REAR PANEL CONTROLS

41. Fuse Holder/Line Voltage Selector. Contains fuse and selects line voltage.

42. Power Cord Receptacle.

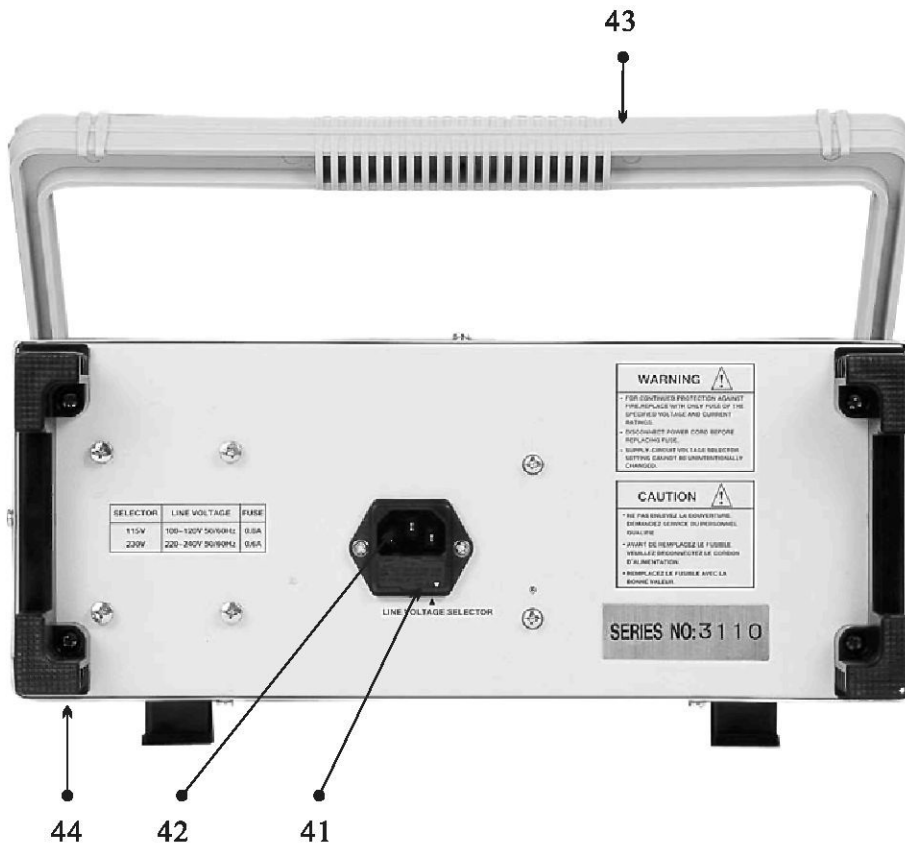
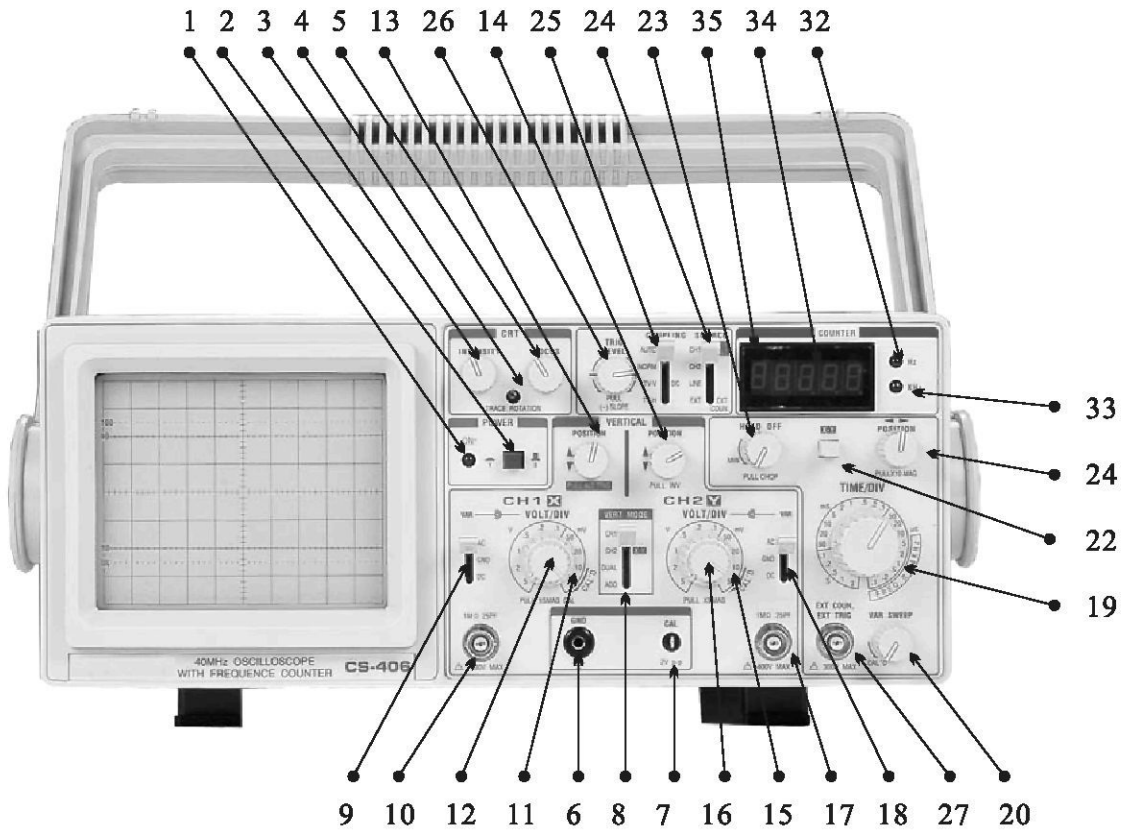
43. Handle/Tilt Stand.

44. Feet/Cord Wrap.

45.OUTPUT:Function Generator Main output BNC, output impedance 50Ω , Max, amplitude 20Vp-p for no-load and 10Vp-p for 50Ω load.

46.SYNC: Synchronous output. TTL level Square wave output with same frequency as the Main output BNC.

CS-406 CONTROLS AND INDICATORS



CS-406 CONTROLS AND INDICATORS

GENERAL FUNCTION CONTROLS

- 1. ON Indicator.** Lights when oscilloscope is "on".
- 2. POWER Pushbutton.** Turns: oscilloscope "on" and "off".
- 3. INTENSITY Control.** Adjusts brightness of trace.
- 4. TRACE ROTATION Control.** Adjusts to maintain trace at a horizontal position.
- 5. FOCUS Control.** Adjusts trace focus.
- 6. GND \equiv Terminal.** Oscilloscope chassis ground jack, and earth ground via three-wire ac power cord.
- 7. CAL Terminal.** Terminal provides 2Vp-p, 1kHz (nominal) square wave signal. This signal is useful for checking probe compensation adjustment, as well as providing a rough check of vertical calibration.

VERTICAL CONTROLS

- 8. VERTICAL MODE Switch.** Selects vertical display mode. Four-position lever switch with the following positions :

CH1:

Displays the channel 1 signal by itself.

CH2/X-Y:

CH2: displays the channel 2 signal by itself.

X-Y: used in conjunction with the X-Y control and **Trigger SOURCE** switch to enable X-Y display mode.

DUAL

Displays the channel 1 and channel 2 signals simultaneously. Dual-trace mode may be either alternate or chopped sweep: see the description under **HOLD OFF/PULL CHOP** control.

ADD:

The inputs from channel 1 and channel 2 are summed and displayed as a single signal. If the Channel 2 **POSITION/PULL INVERT** control is pulled out, the input from channel 2 is subtracted from channel 1 and the difference is displayed as a single signal.

- 9. CH1 AC-GND-DC Switch.** Three-position lever switch with the following positions:

AC:

Channel 1 input signal is capacitively coupled; DC component is blocked.

GND:

Opens signal path and grounds input to vertical amplifier. This provides a zero-volt base line, the position of which can be used as a reference when performing dc measurements.

DC:

Direct coupling of channel 1 input signal; both AC and DC components of signal produce vertical deflection.

- 10. CH1 (X) Input Jack.** Vertical input for channel 1. X-axis input for X-Y operation.
- 11. CH1 (X) VOLTS/DIV Control.** Vertical attenuator for channel 1. Provides step adjustment of vertical sensitivity. When channel 1 **VARIABLE** control is set to (**CAL**), vertical sensitivity is calibrated in 10 steps from 5 mV/div to 5 V/div in a 1-2-5 sequence. When the X-Y mode of operation is selected, this control provides step adjustment of X-axis sensitivity.

12. CH1 VARIABLE/PULL X5 MAG Control:

VARIABLE:

Rotation provides vernier adjustment of channel 1 vertical sensitivity. In the fully-clockwise (**CAL**) position, the vertical attenuator is calibrated. Counterclockwise rotation decreases gain sensitivity. In X-Y operation, this control becomes the vernier X-axis sensitivity control.

PULL X5 MAG:

When pulled out, increases vertical sensitivity by a factor of five. Effectively provides two extra sensitivity settings: 2 mV/div and 1 mV/div. In X-Y mode, increases X-sensitivity by a factor of five.

13. CH1 POSITION/PULL ALT TRIGGER Control:

POSITION:

Adjusts vertical position of channel 1 trace.

PULL ALT:

Used in conjunction with the **Trigger SOURCE** switch to activate alternate triggering. See the description under the **Trigger SOURCE** switch.

14. CH2 POSITION/PULL INVERT Control:

POSITION:

Adjusts vertical position of channel 2 trace. In X-Y operation, rotation adjusts vertical position of X-Y display.

CS-406 CONTROLS AND INDICATORS

PULL INVert:

When pushed in, the polarity of the channel 2 signal is normal. When pulled out, the polarity of the channel 2 signal is reversed, thus inverting the waveform.

- 15. CH2 VOLTS/DIV Control.** Vertical attenuator for channel 2. Provides step adjustment of vertical sensitivity. When channel 2 **VARIABLE** control is set to CAL, vertical sensitivity is calibrated in 10 steps from 5 mV/div to 5 V/div in a 1-2-5 sequence. When the X-Y mode of operation is selected, this control provides step adjustment of Y-axis sensitivity.

16. CH2 VARIABLE/PULL X5 MAG Control: VARIABLE:

Rotation provides vernier adjustment of channel 2 vertical sensitivity. In the fully-clockwise (CAL) position, the vertical attenuator is calibrated. Counterclockwise rotation decreases gain sensitivity. In X-Y operation, the vernier this control becomes Y-axis sensitivity control.

PULL X5 MAG:

When pulled out, increases vertical sensitivity by a factor of five. Effectively provides two extra sensitivity settings: 2 mV/div and 1 mV/div. In X-Y mode, increases Y-sensitivity by a factor of five.

- 17. CH2 (Y) Input Jack.** Vertical input for channel 2. Y-axis input for X-Y operation.
- 18. CH2 AC-GND-DC Switch.** Three-position lever switch with the following positions:
- AC:**
Channel 2 input signal is capacitively coupled; DC component is blocked.

GND:

Opens signal path and grounds input to vertical amplifier. This provides a zero-volt base line, the position of which can be used as a reference when performing dc measurements.

DC:

Direct coupling of channel 2 input signal; both AC and DC components of signal produce vertical deflection.

HORIZONTAL CONTROLS

19. Main Time Base TIME/DIV Control.

Provides step selection of sweep rate for the main time base. When the **VARIABLE** Sweep control is set to (CAL), sweep rate is calibrated. This control has 23 steps from 0.1 mS/div to 2 S/div, in a 1-2-5 sequence.

- 20. VARIABLE Sweep Control.** Rotation of control is vernier adjustment for sweep rate. In fully clockwise (CAL) position, sweep rate is calibrated.

21. POSITION/PULL X10 MAG Control.

POSITION:

Horizontal (X) position control.

PULL X10 MAG:

Selects ten times sweep magnification when pulled out, normal when pushed in. Increases maximum sweep rate to 10 nS/div.

- 22. X-Y Switch.** Used with the **VERTICAL MODE** switch and **Trigger SOURCE** switch to select X-Y operating mode. The channel 1 input becomes the X-axis and the channel 2 input becomes the Y-axis. Trigger source and coupling are disabled in this mode.

TRIGGERING CONTROLS

23. **HOLDOFF/PULL CHOP Control.**

HOLDOFF:

Rotation adjusts holdoff time (trigger inhibit period beyond sweep duration). When control is rotated fully counterclockwise, the holdoff period is **MIN**imum (normal). The holdoff period increases progressively with clockwise rotation.

PULL CHOP:

When this switch is pulled out in the dual-trace mode, the channel 1 and channel 2 sweeps are chopped and displayed simultaneously (normally used at slower sweep speeds). When it is pushed in, the two sweeps are alternately displayed, one after the other (normally used at higher sweep speeds).

24. **Trigger SOURCE Switch.** Selects source of sweep trigger. Four-position lever switch with the following positions:

CH1/X-Y/ALT:

CH1:

Causes the channel 1 input signal to become the sweep trigger, regardless of the **VERTICAL MODE** switch setting.

X-Y

Used with two other switches to enable the X-Y mode -see the Operating Instructions under "XY Operation".

ALT:

Used with the channel 1 **POSITION/PULL ALTERNATE TRIGGER** control to enable alternate triggering. Alternate triggering, used in dualtrace mode, permits each waveform viewed to become its own trigger source.

CH2:

The channel 2 signal becomes the sweep trigger, regardless of the **VERTICAL MODE** switch setting.

LINE:

Signal derived from input line voltage (50/60 Hz) becomes trigger.

EXT:

Signal from **EXTERNAL TRIGGER** jack becomes sweep trigger.

25. **Trigger COUPLING Switch.** Selects trigger coupling. Four-position lever switch with the following positions:

AUTO:

Selects automatic triggering mode. In this mode, the oscilloscope generates sweep (free runs) in absence of an adequate trigger; it automatically reverts to triggered sweep operation when an adequate trigger signal is present.

NORM:

Selects normal triggered sweep operation. A sweep is generated only when an adequate trigger signal is present.

TV-V:

Used for triggering from television vertical sync pulses. Also serves as lo-pass/DC (high frequency reject) trigger coupling.

TV-H:

Used for triggering from television horizontal sync pulses. Also serves as hi-pass (low frequency reject) trigger coupling.

used at slower sweep speeds). When it is pushed in, the two sweeps are alternately displayed, one after the other (normally used at higher sweep speeds).

26. **TRIGGER LEVEL/PULL (-) SLOPE Control.**

TRIGGER LEVEL:

Trigger level adjustment; determines the point on the triggering waveform where the sweep is triggered. Rotation in the (-) direction (counterclockwise) selects more negative triggering point; rotation in the (+) direction (clockwise) selects more positive triggering point.

PULL (—)SLOPE:

Two-position push-pull switch. The "in" position selects a positive-going slope and the "out" position selects a negative-going slope as triggering point for main sweep.

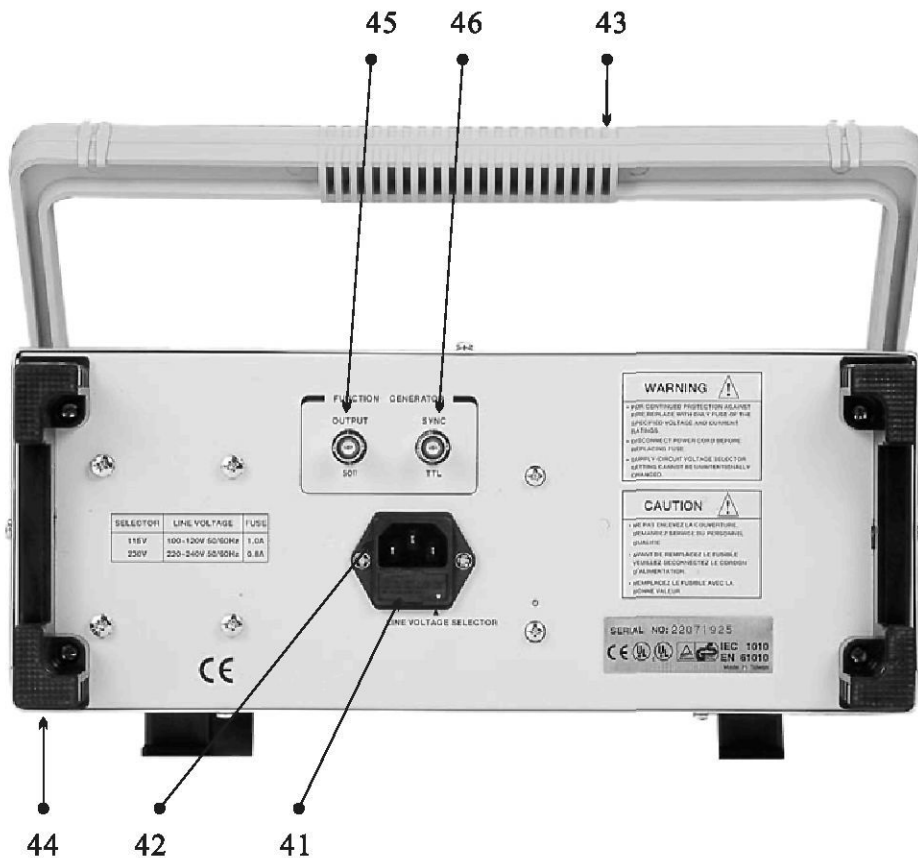
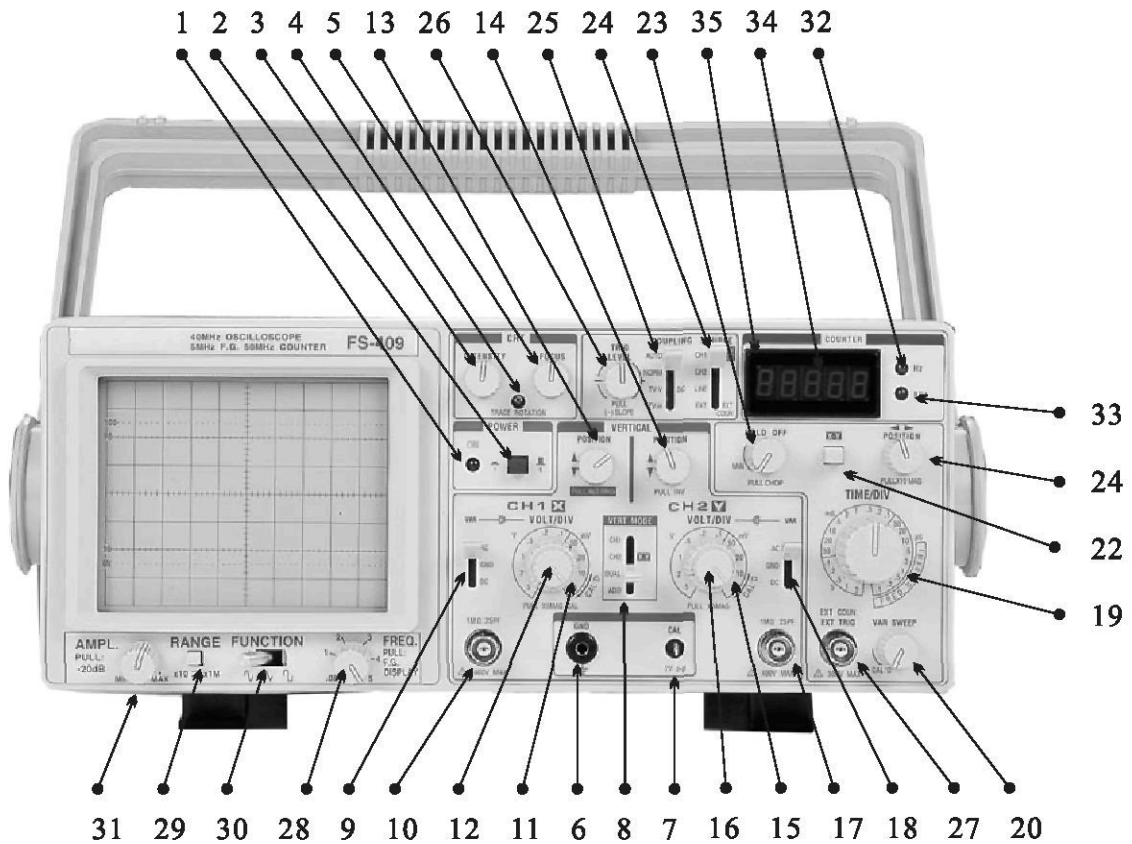
27. **EXTERNAL TRIGGER jack.** External trigger input for single- and dual-trace operation.

- 32.Hz:**the LED lit means the display units are "Hz".
- 33.KHz:**the LED lit means the display units are "KHz"
- 34.LED DIGITS:**5 digits to indicate oscilloscope TRIG'S frequency and EXT. Counter input frequency and Function Generator wave frequency.
- 35.TRIGD/GATE TIME LED:**the LED will be light when the signal was trigger by the counter circuit Each flash of the LED means the new data been calculated and been display. The time between two flash of the LED is the Gate time. If the counter system can not detect a new signal for 10sec. The display will be reset automatically. When the signal was input from the input BNC of CH1, CH2 or EXT of the oscilloscope The trigger condition can be adjusted by (26) TRIG LEVEL knob. The Gate time are controlled by the CPU from 0.25sec to 10sec automatically.

REAR PANEL CONTROLS

- 41. Fuse Holder/Line Voltage Selector.** Contains fuse and selects line voltage.
- 42. Power Cord Receptacle.**
- 43. Handle/Tilt Stand.**
- 44. Feet/Cord Wrap.**

FS-409 CONTROLS AND INDICATORS



GENERAL FUNCTION CONTROLS

- 1. ON Indicator.** Lights when oscilloscope is "on".
- 2. POWER Pushbutton.** Turns: oscilloscope "on" and "off".
- 3. INTENSITY Control.** Adjusts brightness of trace.
- 4. TRACE ROTATION Control.** Adjusts to maintain trace at a horizontal position.
- 5. FOCUS Control.** Adjusts trace focus.
- 6. GND \perp Terminal.** Oscilloscope chassis ground jack, and earth ground via three-wire ac power cord.
- 7. CAL Terminal.** Terminal provides 2Vp-p, 1kHz (nominal) square wave signal. This signal is useful for checking probe compensation adjustment, as well as providing a rough check of vertical calibration.

VERTICAL CONTROLS

- 8. VERTICAL MODE Switch.** Selects vertical display mode. Four-position lever switch with the following positions :

CH1:

Displays the channel 1 signal by itself.

CH2/X-Y:

CH2: displays the channel 2 signal by itself.

X-Y: used in conjunction with the X-Y control and **Trigger SOURCE** switch to enable X-Y display mode.

DUAL

Displays the channel 1 and channel 2 signals simultaneously. Dual-trace mode may be either alternate or chopped sweep: see the description under **HOLD OFF/PULL CHOP** control.

ADD:

The inputs from channel 1 and channel 2 are summed and displayed as a single signal. If the Channel 2 **POSITION/PULL INVERT** control is pulled out, the input from channel 2 is subtracted from channel 1 and the difference is displayed as a single signal.

- 9. CH1 AC-GND-DC Switch.** Three-position lever switch with the following positions:

AC:

Channel 1 input signal is capacitively coupled; DC component is blocked.

GND:

Opens signal path and grounds input to vertical amplifier. This provides a zero-volt base line, the position of which can be used as a reference when performing dc measurements.

DC:

Direct coupling of channel 1 input signal; both AC and DC components of signal produce vertical deflection.

- 10. CH1 (X) Input Jack.** Vertical input for channel 1. X-axis input for X-Y operation.
- 11. CH1 (X) VOLTS/DIV Control.** Vertical attenuator for channel 1. Provides step adjustment of vertical sensitivity. When channel 1 **VARIABLE** control is set to **(CAL)**, vertical sensitivity is calibrated in 10 steps from 5 mV/div to 5 V/div in a 1-2-5 sequence. When the X-Y mode of operation is selected, this control provides step adjustment of X-axis sensitivity.

12. CH1 VARIABLE/PULL X5 MAG Control:

VARIABLE:

Rotation provides vernier adjustment of channel 1 vertical sensitivity. In the fully-clockwise (**CAL**) position, the vertical attenuator is calibrated. Counterclockwise rotation decreases gain sensitivity. In X-Y operation, this control becomes the vernier X-axis sensitivity control.

PULL X5 MAG:

When pulled out, increases vertical sensitivity by a factor of five. Effectively provides two extra sensitivity settings: 2 mV/div and 1 mV/div. In X-Y mode, increases X-sensitivity by a factor of five.

13. CH1 POSITION/PULL ALT TRIGGER Control:

POSITION:

Adjusts vertical position of channel 1 trace.

PULL ALT:

Used in conjunction with the **Trigger SOURCE** switch to activate alternate triggering. See the description under the **Trigger SOURCE** switch.

14. CH2 POSITION/PULL INVERT Control:

POSITION:

Adjusts vertical position of channel 2 trace. In X-Y operation, rotation adjusts vertical position of X-Y display.

FS-409 CONTROLS AND INDICATORS

PULL INVert:

When pushed in, the polarity of the channel 2 signal is normal. When pulled out, the polarity of the channel 2 signal is reversed, thus inverting the waveform.

- 15. CH2 VOLTS/DIV Control.** Vertical attenuator for channel 2. Provides step adjustment of vertical sensitivity. When channel 2 **VARIABLE** control is set to CAL, vertical sensitivity is calibrated in 10 steps from 5 mV/div to 5 V/div in a 1-2-5 sequence. When the X-Y mode of operation is selected, this control provides step adjustment of Y-axis sensitivity.

16. CH2 VARIABLE/PULL X5 MAG Control: VARIABLE:

Rotation provides vernier adjustment of channel 2 vertical sensitivity. In the fully-clockwise (CAL) position, the vertical attenuator is calibrated. Counterclockwise rotation decreases gain sensitivity. In X-Y operation, the vernier this control becomes Y-axis sensitivity control.

PULL X5 MAG:

When pulled out, increases vertical sensitivity by a factor of five. Effectively provides two extra sensitivity settings: 2 mV/div and 1 mV/div. In X-Y mode, increases Y-sensitivity by a factor of five.

- 17. CH2 (Y) Input Jack.** Vertical input for channel 2. Y-axis input for X-Y operation.
- 18. CH2 AC-GND-DC Switch.** Three-position lever switch with the following positions:

AC:

Channel 2 input signal is capacitively coupled; DC component is blocked.

GND:

Opens signal path and grounds input to vertical amplifier. This provides a zero-volt base line, the position of which can be used as a reference when performing dc measurements.

DC:

Direct coupling of channel 2 input signal; both AC and DC components of signal produce vertical deflection.

HORIZONTAL CONTROLS

19. Main Time Base TIME/DIV Control.

Provides step selection of sweep rate for the main time base. When the **VARIABLE** Sweep control is set to (CAL), sweep rate is calibrated. This control has 23 steps from 0.1 mS/div to 2 S/div, in a 1-2-5 sequence.

- 20. VARIABLE Sweep Control.** Rotation of control is vernier adjustment for sweep rate. In fully clockwise (CAL) position, sweep rate is calibrated.

21. POSITION/PULL X10 MAG Control.

POSITION:

Horizontal (X) position control.

PULL X10 MAG:

Selects ten times sweep magnification when pulled out, normal when pushed in. Increases maximum sweep rate to 10 nS/div.

- 22. X-Y Switch.** Used with the **VERTICAL MODE** switch and **Trigger SOURCE** switch to select X-Y operating mode. The channel 1 input becomes the X-axis and the channel 2 input becomes the Y-axis. Trigger source and coupling are disabled in this mode.

TRIGGERING CONTROLS

23. HOLDOFF/PULL CHOP Control.

HOLDOFF:

Rotation adjusts holdoff time (trigger inhibit period beyond sweep duration). When control is rotated fully counterclockwise, the holdoff period is **MIN**imum (normal). The holdoff period increases progressively with clockwise rotation.

PULL CHOP:

When this switch is pulled out in the dual-trace mode, the channel 1 and channel 2 sweeps are chopped and displayed simultaneously (normally used at slower sweep speeds). When it is pushed in, the two sweeps are alternately displayed, one after the other (normally used at higher sweep speeds).

24. Trigger SOURCE Switch. Selects source of sweep trigger. Four-position lever switch with the following positions:

CH1/X-Y/ALT:

CH1:

Causes the channel 1 input signal to become the sweep trigger, regardless of the **VERTICAL MODE** switch setting.

X-Y

Used with two other switches to enable the X-Y mode -see the Operating Instructions under "XY Operation".

ALT:

Used with the channel 1 **POSITION/PULL ALTERNATE TRIGGER** control to enable alternate triggering. Alternate triggering, used in dualtrace mode, permits each waveform viewed to become its own trigger source.

CH2:

The channel 2 signal becomes the sweep trigger, regardless of the **VERTICAL MODE** switch setting.

LINE:

Signal derived from input line voltage (50/60 Hz) becomes trigger.

EXT:

Signal from **EXTERNAL TRIGGER** jack becomes sweep trigger.

25. Trigger COUPLING Switch. Selects trigger coupling. Four-position lever switch with the following positions:

AUTO:

Selects automatic triggering mode. In this mode, the oscilloscope generates sweep (free runs) in absence of an adequate trigger; it automatically reverts to triggered sweep operation when an adequate trigger signal is present.

NORM:

Selects normal triggered sweep operation. A sweep is generated only when an adequate trigger signal is present.

TV-V:

Used for triggering from television vertical sync pulses. Also serves as lo-pass/DC (high frequency reject) trigger coupling.

TV-H:

Used for triggering from television horizontal sync pulses. Also serves as hi-pass (low frequency reject) trigger coupling.

used at slower sweep speeds). When it is pushed in, the two sweeps are alternately displayed, one after the other (normally used at higher sweep speeds).

26. TRIGGER LEVEL/PULL (-) SLOPE Control.

TRIGGER LEVEL:

Trigger level adjustment; determines the point on the triggering waveform where the sweep is triggered. Rotation in the (-) direction (counterclockwise) selects more negative triggering point; rotation in the (+) direction (clockwise) selects more positive triggering point.

PULL (—)SLOPE:

Two-position push-pull switch. The "in" position selects a positive-going slope and the "out" position selects a negative-going slope as triggering point for main sweep.

27. EXTERNAL TRIGGER jack. External trigger input for single-and dual-trace operation.

28. **FREQ:** Turn this knob to set the desired frequency Generated. This knob is for fine adjustment.

FS-409 CONTROLS AND INDICATORS

(NOTE: PULL: F.G. DISPLAY For FS-409 only)

29.RANGE: The main Frequency switch of the Function Generator Each step raise up the frequency 10 times from 50Hz to 5MHz and back to 50Hz circulatory. Also the range will be set at 50Hz automatically when switch on the Oscilloscope, the frequency can be observed from **34 LED DISPLAY** or connect the 45 output signal to the 10 INPUT of the oscilloscope to display on CRT.

30.Function:the Function wave selector to set the wave from output of the Function Generator send to the output BNC 45.

31.AMPL/PULL:-20dB/Amplitude knob. Turn the knob to adjust the amplitude of the output signal to max 10 time continuously. Or pull out the switch to attenuate the output signal 20dB (Amplitude becomes 1/10 level).

32.Hz:the LED lit means the display units are "Hz".

33.KHz:the LED lit means the display units are "KHz"

34.LED DIGITS:5 digits to indicate oscilloscope TRIG'S frequency and EXT. Counter input frequency and Function Generator wave frequency.

35.TRIGD/GATE TIME LED:the LED will be light when the signal was trigger by the counter circuit Each flash of the LED means the new data been calculated and been display. The time between two flash of the LED is the Gate time. If the counter system can not detect a new signal for 10sec. The display will be reset automatically. When the signal was input from the input BNC of CH1, CH2 or EXT of the oscilloscope The trigger condition can be adjusted by (26) TRIG LEVEL knob. The Gate time are controled by the CPU from 0.25sec to 10sec automatically.?

REAR PANEL CONTROLS

41. Fuse Holder/Line Voltage Selector. Contains fuse and selects line voltage.

42. Power Cord Receptacle.

43. Handle/Tilt Stand.

44. Feet/Cord Wrap.

45.OUTPUT:Function Generator Main output BNC, output impedance 50Ω, Max, amplitude 20Vp-p for no-load and 10Vp-p for 50Ω load.

46.SYNC: Synchronous output. TTL level Square wave output with same frequency as the Main output BNC.

OPERATING INSTRUCTIONS

SAFETY PRECAUTIONS

WARNING


The following precautions must be observed to help prevent electric shock.

1. When the oscilloscope is used to make measurements in equipment that contains high voltage, there is always a certain amount of danger from electrical shock. The person using the oscilloscope in such conditions should be a qualified electronics technician or otherwise trained and qualified to work in such circumstances. Observe the TEST INSTRUMENT SAFETY recommendations listed on the inside front cover of this manual.
2. Do not operate this oscilloscope with the case removed unless you are a qualified service technician. High voltage up to 2100 volts is present when the unit is operating with the case removed.
3. The ground wire of the 3-wire ac power plug places the chassis and housing of the oscilloscope at earth ground. Use only a 3-wire outlet, and do not attempt to defeat the ground wire connection or float the oscilloscope; to do so may pose a great safety hazard.
4. Special precautions are required to measure or observe line voltage waveforms with any oscilloscope. Use the following procedure:
 - a. Do not connect the ground clip of the probe to either side of the line. The clip is already at earth ground and touching it to the hot side of the line cause possible injury, plus possible damage to the scope or probe.
 - b. Insert the probe tip into one side of the line voltage receptacle, then the other. One side of the receptacle should be "hot" and produce the wave from. The other side of the receptacle is the ac return and nowaveform should result.

EQUIPMENT PROTECTION PRECAUTIONS

CAUTION

The following precautions will help avoid damage to the oscilloscope.

1. Never allow a small spot of high brilliance to remain stationary on the screen for more than a few seconds. The screen may become permanently burned. A spot will occur when the scope is set up for X-Y operation and no signal is applied. Either reduce the intensity so the spot is barely visible, apply signal, or switch back to normal sweep operation. It is also advisable to use low intensity with AUTO triggering and no signal applied for long periods. A high intensity trace at the same position could cause a line to become permanently burned onto the screen.
2. Do not obstruct the ventilating holes in the case, as this will increase the scope's internal temperature.
3. Excessive voltage applied to the input jacks may damage the oscilloscope. The maximum ratings of the inputs are as follows:

 - CH 1 and CH 2:
400 V dc + ac peak.
 - EXT TRIG:
300 V dc + ac peak.
4. Always connect a cable from the ground terminal of the oscilloscope to the chassis of the equipment under test. Without this precaution, the entire current for the equipment under test may be drawn through the probe clip leads under certain circumstances. Such conditions could also pose a safety hazard, which the ground cable will prevent.
5. The probe ground clips are at oscilloscope and earth ground and should be connected only to the earth ground or isolated common of the equipment under test. To measure with respect to any point other than the common, use CH 2 - CH 1 subtract operation (**ADD** mode and **INV 1**), with the channel 2 probe to the point of measurement and the channel 1 probe to the point of reference. Use this method even if the reference point is a DC voltage with no signal.

OPERATING INSTRUCTIONS

OPERATING TIPS

The following recommendations will help obtain the best performance from the oscilloscope.

1. Always use the probe ground clips for best results, attached to a circuit ground point near the point of measurement. Do not rely solely on an external ground wire in lieu of the probe ground clips as undesired signals may be introduced.
2. Avoid the following operating conditions:
 - a. Direct sunlight.
 - b. High temperature and humidity.
 - c. Mechanical vibration.
 - d. Electrical noise and strong magnetic fields, such as near large motors, power supplies, transformers, etc.
3. Occasionally check trace rotation, probe compensation, and calibration accuracy of the oscilloscope using the procedures found in the MAINTENANCE section of this manual.
4. Terminate the output of a signal generator into its characteristic impedance to minimize ringing, especially if the signal has fast edges such as square waves or pulses. For example, the typical 50 W output of a square wave generator should be terminated into an external 50 W terminating load and connected to the oscilloscope with 50 W coaxial cable.
5. Probe compensation adjustment matches the probe to the input of the scope. For best results, compensation should be adjusted initially, then the same probe always used with the same channel. Probe compensation should be readjusted when a probe from a different oscilloscope is used.

INITIAL STARTING PROCEDURE

Until you familiarize yourself with the use of all controls, the settings given here can be used as a reference point to obtain a trace on the CRT in preparation for waveform observation.

1. Set these controls as follows:

On both models:

VERTICAL MODE to **CH1**.

CH1 AC/GND/DC to **GND**.

Trigger COUPLING to **AUTO**.

Trigger SOURCE to **CH1**.

All **POSition** controls and **INTENSITY** control centered (pointers facing up).

Main Time Base control to **1 mS/div**.

2. Press the red **POWER** pushbutton.
3. A trace should appear on the CRT. Adjust the trace brightness with the **INTENSITY** control, and the trace sharpness with the **FOCUS** control.

SINGLE TRACE DISPLAY

Either channel 1 or channel 2 may be used for single-trace operation. To observe a waveform on channel 1:

1. Perform the steps of the "Initial Starting Procedure".
2. Connect the probe to the **CH 1 (X)** input jack.
3. Connect the probe ground clip to the chassis or common of the equipment under test. Connect the probe tip to the point of measurement.
4. Move the **CH1 AC/GND/DC** switch out of the **GND** position to either **DC** or **AC**.
5. If no waveforms appear, increase the sensitivity by turning the **CH 1 VOLTS/DIV** control clockwise to a position that gives 2 to 6 divisions vertical deflection.
6. Position the waveform vertically as desired using the **CH1 POSition** control.
7. The display on the CRT may be unsynchronized. Refer to the "Triggering" paragraphs in this section for procedures on setting triggering and sweep time controls to obtain a stable display showing the desired number of waveforms.

DUAL TRACE DISPLAY

In observing simultaneous waveforms on channel 1 and 2, the waveforms are usually related in frequency, or one of the waveforms is synchronized to the other, although the basic frequencies are different. To observe two such related waveforms simultaneously, perform the following:

1. Connect probes to both the **CH 1 (X)** and **CH 2 (Y)** input jacks.
2. Connect the ground clips of the probes to the chassis or common of the equipment under test. Connect the tips of the probes to the two points in the circuit where waveforms are to be measured.

3. To view both waveforms simultaneously, set the **VERTICAL MODE** switch to **DUAL** and select either **ALT** (alternate) or **CHOP** with the **PULL CHOP** switch.
4. In the **ALT** sweep mode (**PULL CHOP** switch pushed in), one sweep displays the channel 1 signal and the next sweep displays the channel 2 signal in an alternating sequence. Alternate sweep is normally used for viewing high-frequency or high-speed waveforms at sweep times of 1 ms/div and faster, but may be selected at any sweep time.
5. In the **CHOP** sweep mode (**PULL CHOP** switch pulled out), the sweep is chopped (switched) between channel 1 and channel 2. Using **CHOP**, one channel does not have to "wait" for a complete swept display of the other channel. Therefore, portions of both channel's waveforms are displayed with the phase relationship between the two waveforms unaltered. Chop sweep is normally used for low-frequency or low-speed waveforms at sweep times of 1 ms/div and slower; or where the phase relationship between channel 1 and channel 2 requires measurement. If chop sweep is used at sweep times of 0.2 ms/div and faster, the chop rate becomes a significant portion of the sweep and may become visible in the displayed waveform. However, you may select chop sweep at any sweep time for special applications.
6. Adjust the channel 1 and 2 **POSITION** controls to place the channel 1 trace above the channel 2 trace.
7. Set the **CH 1** and **CH 2 VOLTS/DIV** controls to a position that gives 2 to 3 divisions of vertical deflection for each trace. If the display on the screen is unsynchronized, refer to the "Triggering" paragraphs in this section of the manual for procedures for setting triggering and sweep time controls to obtain a stable display showing the desired number of waveforms.
8. When the **VERTICAL MODE** switch is set to **ADD**, the algebraic sum of CH 1 + CH 2 is displayed as a single trace. When the **PULL INV** switch is pulled out, the algebraic difference of CH 1-CH 2 is displayed.
9. If two waveforms have no phase or frequency relationship, there is seldom reason to observe both waveforms simultaneously. However, these oscilloscopes do permit the simultaneous viewing of two such unrelated waveforms, using alternate triggering. Refer to the paragraphs on "Triggering - Trigger SOURCE Switch", for details on alternate triggering.

TRIGGERING

The Oscilloscopes provide versatility in sync triggering for ability to obtain a stable, jitter-free display in single-trace, or dual-trace operation. The proper settings depend upon the type of waveforms being observed and the type of measurement desired. An explanation of the various controls which affect synchronization is given to help you select the proper setting over a wide range of conditions.

Trigger COUPLING Switch

1. In the **AUTO** position, automatic sweep operation is selected. In automatic sweep operation, the sweep generator free-runs to generate a sweep without a trigger signal. However, it automatically switches to triggered sweep operation if an acceptable trigger source signal is present. The **AUTO** position is handy when first setting up the scope to observe a waveform; it provides sweep for waveform observation until other controls can be properly set. Once the controls are set, operation is often switched back to the normal triggering mode, since it is more sensitive. Automatic sweep must be used for dc measurements and signals of such low amplitude that they will not trigger the sweep.
2. The **NORM** position provides normal triggered sweep operation. The sweep remains at rest until the selected trigger source signal crosses the threshold level set by the **TRIG LEVEL** control. The trigger causes one sweep to be generated, after which the sweep again remains at rest until triggered. In the normal triggering mode, there will be no trace unless an adequate trigger signal is present. In the **ALT VERTICAL MODE** of dual trace operation with the **SOURCE** switch also set to **ALT**, there will be no trace unless both channel 1 and channel 2 signals are adequate for triggering. Typically, signals that produce even one division of vertical deflection are adequate for normal triggered sweep operation.
3. The **TV H** and **TV V** positions are primarily for viewing composite video waveforms. Horizontal sync pulses are selected as trigger when the trigger **COUPLING** switch is set to the **TVH** position, and vertical sync pulses are selected as trigger when the trigger **COUPLING** switch is set to the **TV V** position. The **TV H** and **TV V** positions may also be used as low frequency reject and high frequency reject coupling, respectively. Additional procedures for observing video waveforms are given later in this section of the manual.

Trigger SOURCE Switch

The trigger SOURCE switch (CH 1, CH 2, etc.) Select the signal to be used as the sync trigger.

1. If the SOURCE switch is set to CH 1 (or CH 2) the channel 1 (or channel 2) signal becomes the trigger source regardless of the VERTICAL MODE selection. CH 1, or CH2 are often used as the trigger source for phase or timing comparison measurements.
2. By setting the SOURCE switch to ALT (same as CH1) and PULL ALT TRIG pulled, alternating triggering mode is activated. In this mode, the trigger source alternates between CH 1 and CH 2 with each sweep. This is convenient for checking amplitudes, wave shape, or waveform period measurements, and even permits simultaneous observation of two waveforms which are not related in frequency or period. However, this setting is not suitable for phase or timing comparison measurements. For such measurements, both traces must be triggered by the same sync signal. Alternate triggering can only be used in dual-trace mode (VERT MODE set to DUAL), and with alternate sweep only (PULL CHOP not engaged).
3. In the LINE position, triggering is derived from the input line voltage (50/60 Hz) and the trigger SOURCE switch is disabled. This is useful for measurements that are related to line frequency.
4. In the EXT position, the signal applied to the EXT TRIG jack becomes the trigger source. This signal must have a timing relationship to the displayed waveforms for a synchronized display.

TRIG LEVEL/PULL (—)SLOPE Control?

(Refer to Fig. 1)

A sweep trigger is developed when the trigger source signal crosses a preset threshold level. Rotation of the TRIG LEVEL control varies the threshold level. In the + direction (clockwise), the triggering threshold shifts to a more positive value, and in the - direction (counterclockwise), the triggering threshold shifts to a more negative value. When

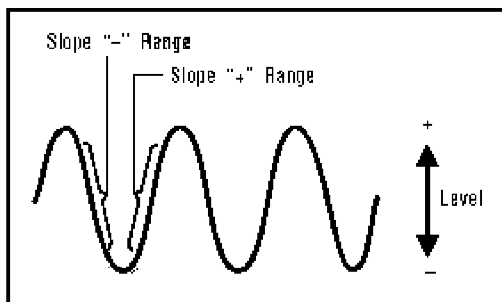


Fig-1

the control is centered, the threshold level is set at the approximate average of the signal used as the triggering source. Proper adjustment of this control usually synchronizes the display.

The TRIG LEVEL control adjusts the start of the sweep to almost any desired point on a waveform. On sine wave signals, the phase at which sweep begins is variable. Note that if the TRIG LEVEL control is rotated toward its extreme + or - setting, no sweep will be developed in the normal trigger mode because the triggering threshold exceeds the peak amplitude of the sync signal.

When the PULL (—)SLOPE control is set to the +("in") position, the sweep is developed from the trigger source waveform as it crosses a threshold level in a positive-going direction. When the PULL (—)SLOPE control is set to the -("out") position, a sweep trigger is developed from the trigger source waveform as it crosses the threshold level in a negative-going direction.

MAIN TIME BASE Control

Set the Main Time Base TIME/DIV control to display the desired number of cycles of the waveform. If there are too many cycles displayed for good resolution, switch to a faster sweep time. If only a line is displayed, try a slower sweep time. When the sweep time is faster than the waveform being observed, only part of it will be displayed, which may appear as a straight line for a square wave or pulse waveform.

HOLDOFF Control

(Refer to Fig. 2)

A "holdoff" period occurs immediately after the completion of each sweep, and is a period during which triggering of the next sweep is inhibited. The normal holdoff period varies with sweep rate, but is adequate to assure complete retrace and stabilization before the next sweep trigger is permitted. The HOLDOFF control allows this period to be extended by a variable amount if desired.

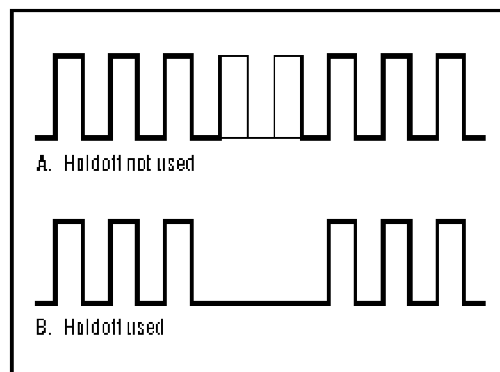


Fig-2

OPERATING INSTRUCTIONS

This control is usually set to the **MIN** position (fully counterclockwise) because no additional holdoff period is necessary. The **HOLDOFF** control is useful when a complex series of pulses appear periodically such as in Fig. 4B. Improper sync may produce a double image as in Fig. 4A. Such a display could be synchronized with the **VAR SWEEP** control, but this is impractical because time measurements are then uncalibrated. An alternate method of synchronizing the display is with the **HOLDOFF** control. The sweep speed remains the same, but the triggering of the next sweep is "held off" for the duration selected by the **HOLDOFF** control. Turn the **HOLDOFF** control clockwise from the **MIN** position until the sweep starts at the same point of the waveform each time.

MAGNIFIED SWEEP OPERATION

Since merely shortening the sweep time to magnify a portion of an observed waveform can result in the desired portion disappearing off the screen, magnified display should be performed using magnified sweep.

Using the **POS**ition control, move the desired portion of waveform to the center of the CRT. Pull out the **PULL X10** knob to magnify the display ten times. For this type of display the sweep time is the **Main Time Base TIME/DIV** control setting divided by 10. Rotation of the **POS**ition control can then be used to select the desired portion of the waveforms.

X-Y OPERATION

X-Y operation permits the oscilloscope to perform many measurements not possible with conventional sweep operation. The CRT display becomes an electronic graph of two instantaneous voltages. The display may be a direct comparison of the two voltages such as stereoscope display of stereo signal outputs. However, the **X-Y** mode can be used to graph almost any dynamic characteristic if a transducer is used to change the characteristic (frequency, temperature, velocity, etc.) into a voltage. One common application is frequency response measurements, where the Y axis corresponds to signal amplitude and the X axis corresponds to frequency.

1. depress the X-Y switch. Set the Trigger Source and **VERT**ical **MODE** switches to X-Y.
2. In this mode, channel 1 becomes the X axis input and channel 2 becomes the Y axis input. The X and Y positions are now adjusted using the **POS**ition and the **channel 2 POS**ition controls respectively.
3. Adjust the amount of vertical (Y axis) deflection with the **CH 2 VOLTS/DIV** and **VARIABLE** controls.
4. Adjust the amount of horizontal (X axis) deflection with the **CH 1 VOLTS/DIV** and **VARIABLE** controls.

VIDEO SIGNAL OBSERVATION

Setting the **COUPLING** switch to the **TV-H** or **TV-V** position permits selection of horizontal or vertical sync pulses for sweep triggering when viewing composite video waveforms.

When the **TV-H** mode is selected, horizontal sync pulses are selected as triggers to permit viewing of horizontal lines of video. A sweep time of about 10 ms/div is appropriate for displaying lines of video. The **VAR SWEEP** control can be set to display the exact number of waveforms desired. When the **TV-V** mode is selected, vertical sync pulses are selected as triggers to permit viewing of vertical fields and frames of video. A sweep time of 2 ms/div is appropriate for viewing fields of video and 5 ms/div for complete frames (two interlaced fields) of video.

At most points of measurement, a composite video signal is of the (-) polarity, that is, the sync pulses are negative and the video is positive. In this case, use (-) **SLOPE**. If the waveform is taken at a circuit point where the video waveform is inverted, the sync pulses are positive and the video is negative. In this case, use (+) **SLOPE**.

MAINTENANCE

WARNING

The following instructions are for use by qualified service personnel only. To avoid electrical shock, do not perform any servicing other than contained in the operating instructions unless you are qualified to do so.

High voltage up to 2000 V is present when covers are removed and the unit is operating. Remember that high voltage may be retained indefinitely on high voltage capacitors. Also remember that ac line voltage is present on line voltage input circuits any time the instrument is plugged into an ac outlet, even if turned off. Unplug the oscilloscope and discharge high voltage capacitors before performing service procedures.

FUSE REPLACEMENT

If the fuse blows, the "ON" indicator will not light and the oscilloscope will not operate. The fuse should not normally open unless a problem has developed in the unit. Try to determine and correct the cause of the blown fuse, then replace only with the correct value fuse. For 110/125 V line voltage operation, use an 1.0A, 250 V fuse. For 220/240 V line voltage operation, use a 0.8A, 250V fuse. The fuse is located on the rear panel adjacent to the power cord receptacle.

Remove the fuseholder assembly as follows:

1. Unplug the power cord from rear of scope.
2. Insert a small screwdriver in fuseholder slot (located between fuseholder and receptacle). Pry fuseholder away from receptacle.
3. When reinstalling fuseholder, be sure that the fuse is installed so that the correct line voltage is selected (see LINE VOLTAGE SELECTION).

LINE VOLTAGE SELECTION

To select the desired line voltage, simply insert the fuse and fuse holder so that the appropriate voltage is pointed to by the arrow. Be sure to use the proper value fuse (see label on rear panel).

PERIODIC ADJUSTMENTS

Probe compensation and trace rotation adjustments should be checked periodically and adjusted if required. These procedures are given below.

Probe Compensation

1. Connect probes to CH 1 and CH 2 input jacks. Perform procedure for each probe, one probe at a time.
2. Set the probe to X10 (compensation adjustment is not possible in the X1 position).
3. Touch tip of probe to CAL terminal.
4. Adjust oscilloscope controls to display 3 or 4 cycles of CAL square wave at 5 or 6 divisions amplitude.
5. Adjust compensation trimmer on probe for optimum square wave (minimum overshoot, rounding off, and tilt). Refer to Fig. 3.

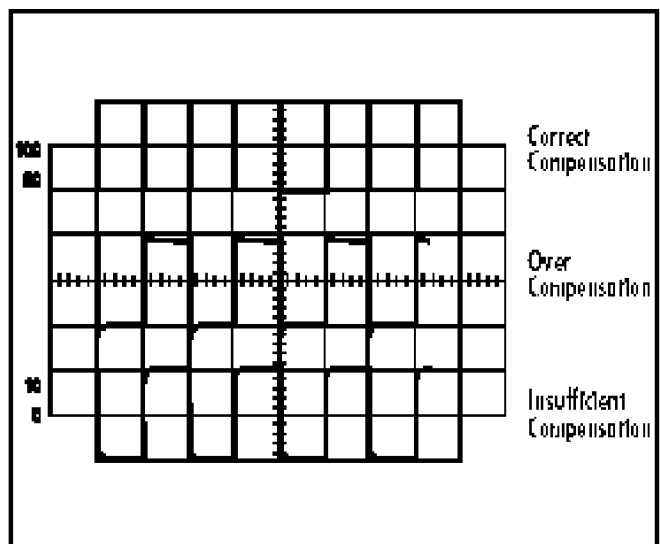


Fig-3

Trace Rotation Adjustment

1. Set oscilloscope controls for a single trace display in CH 1 mode, and with the channel 1 AC-GND-DC switch set to GND.
2. Use the channel 1 POSition control to position the trace over the center horizontal line on the graticule scale. The trace should be exactly parallel with the horizontal line.
3. Use the TRACEROTATION adjustment on the front panel to eliminate any trace tilt.

CALIBRATION CHECK

A general check of calibration accuracy may be made by displaying the output of the **CAL** terminal on the screen. This terminal provides a square wave of 2V p-p. This signal should produce a displayed waveform amplitude of four divisions at .5 V/div sensitivity for both channel 1 and 2 (with probes set for direct). With probes set for X10, there should be four divisions amplitude at 50 mV/div sensitivity. The **VARIABLE** controls must be set to **CAL** during this check.

NOTE

The **CAL** signal should be used only as a general check of calibration accuracy, not as a signal source for performing recalibration adjustments; a voltage standard calibrated at several steps and of 0.3% or better accuracy is required for calibration adjustments.

The **CAL** signal should not be used as a time base standard.

APPENDIX

IMPORTANT CONSIDERATIONS FOR RISE TIME AND FALL TIME MEASUREMENTS

Error in Observed Measurement

The observed rise time (or fall time) as seen on the CRT is actually the cascaded rise time of the pulse being measured and the oscilloscope's own rise time. The two rise times are combined in square law addition as follows:

$$T_{\text{observed}} = \sqrt{(T_{\text{pulse}})^2 + (T_{\text{scope}})^2}$$

The effect of the oscilloscope's rise time is almost negligible when its rise time is at least 3 times as fast as that of the pulse being measured. Thus, slower rise times may be measured directly from the CRT. However, for faster rise time pulses, an error is introduced that increases progressively as the pulse rise time approaches that of the oscilloscope. Accurate measurements can still be obtained by calculation as described below.

Direct Measurements

The Models 404/406/409 oscilloscopes have a rated rise time of 8.8 ns. Thus, pulse rise times of about 27 ns or greater can be measured directly. Most fast rise times are measured at the fastest sweep speed and using X10 magnification. For the Models 404/406/409, this sweep rate is 10 ns/div. A rise time of less than about four divisions at this sweep speed should be calculated.

Calculated Measurements

For observed rise times of less than 27 ns, the pulse rise time should be calculated to eliminate the error introduced by the cascaded oscilloscope rise time. Calculate pulse rise time as follows:

$$T_{\text{pulse}} = \sqrt{(T_{\text{observed}})^2 - (T_{\text{scope}})^2}$$

Limits of Measurement

Measurements of pulse rise times that are faster than the scope's rated rise time are not recommended because a very small reading error introduces significant error into the calculation. This limit is reached when the "observed" rise time is about 1.3 times greater than the scope's rated rise time, about 12 ns minimum for the Models 404/406/409.

Probe Considerations

For fast rise time measurements which approach the limits of measurement, direct connection via 50 W coaxial cable and 50 W termination is recommended where possible. When a probe is used, its rise time is also cascaded in square law addition. Thus the probe rating should be considerably faster than the oscilloscope if it is to be disregarded in the measurement.